

SYSTEM WIRING DIAGRAMS

Selected Block

1994 Ford Taurus

For <http://www.mitchell.narod.ru/>

Copyright © 1997 Mitchell International

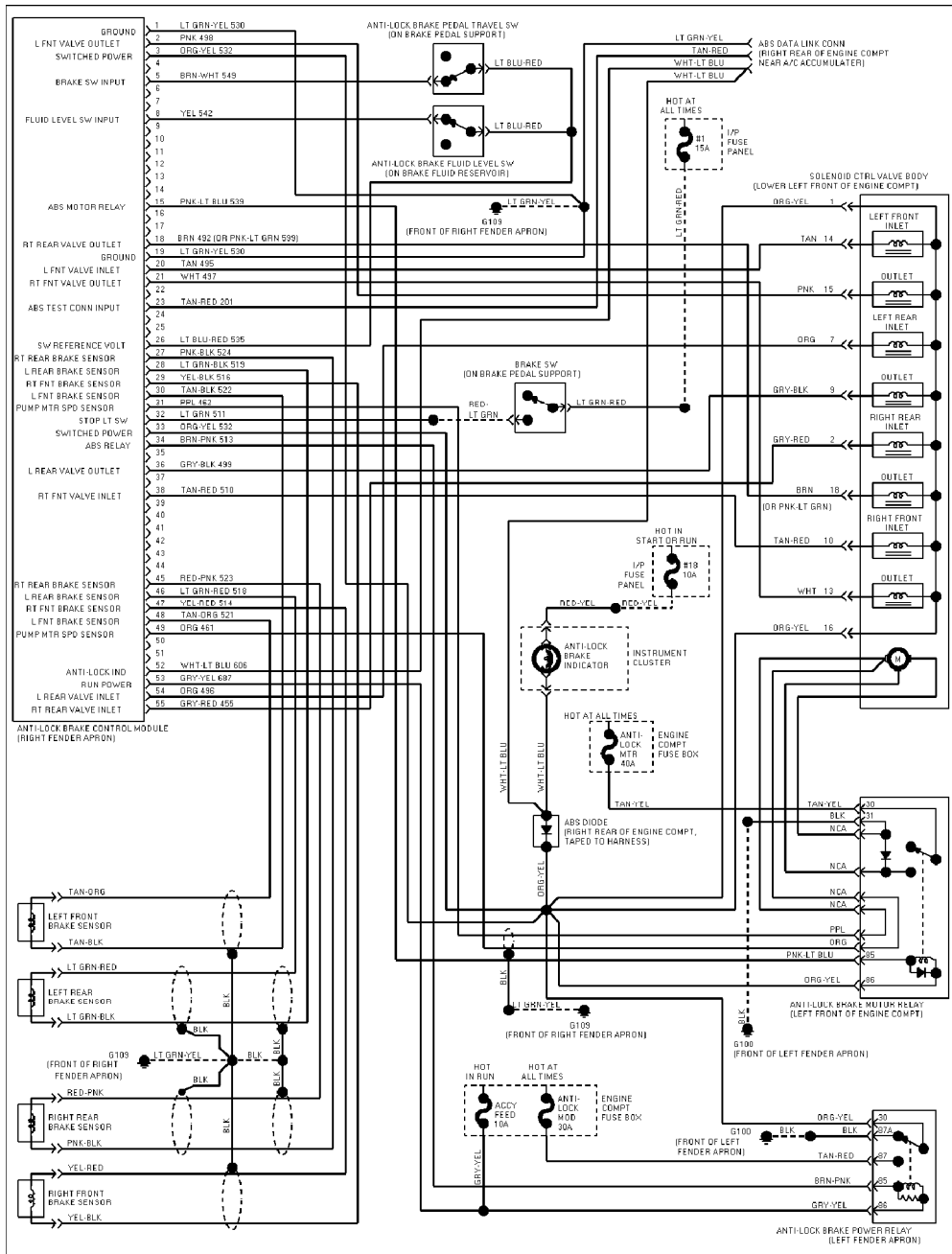
Friday, March 02, 2001 09:00PM

1994 System Wiring Diagrams

Ford - Taurus

ANTI-LOCK BRAKES

3.0L



3.0L Flex Fuel, Anti-lock Brake Circuits

SYSTEM WIRING DIAGRAMS

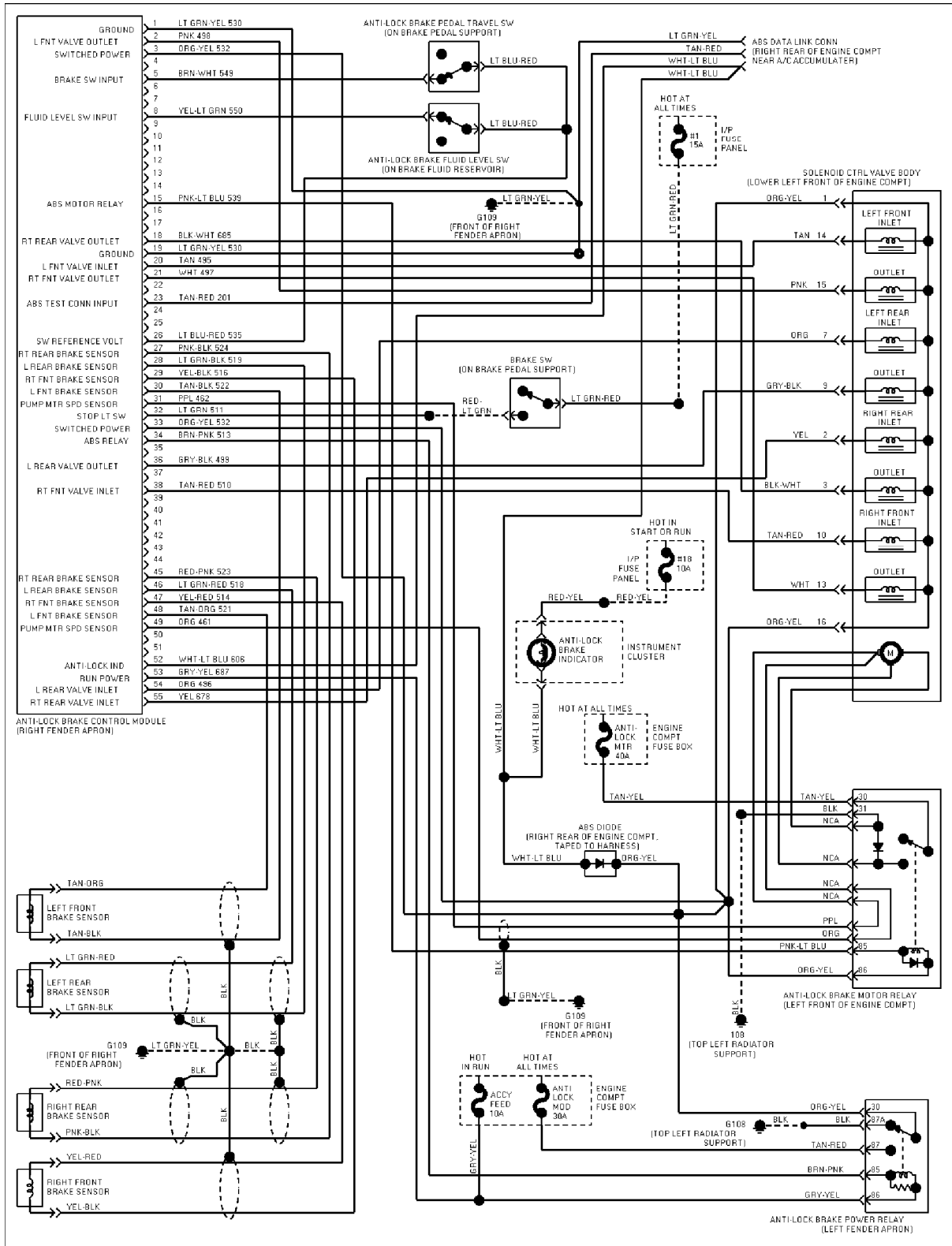
Selected Block (p. 2)

1994 Ford Taurus

For <http://www.mitchell.narod.ru/>

Copyright © 1997 Mitchell International

Friday, March 02, 2001 09:00PM



3.0L SHO, Anti-lock Brake Circuits

SYSTEM WIRING DIAGRAMS

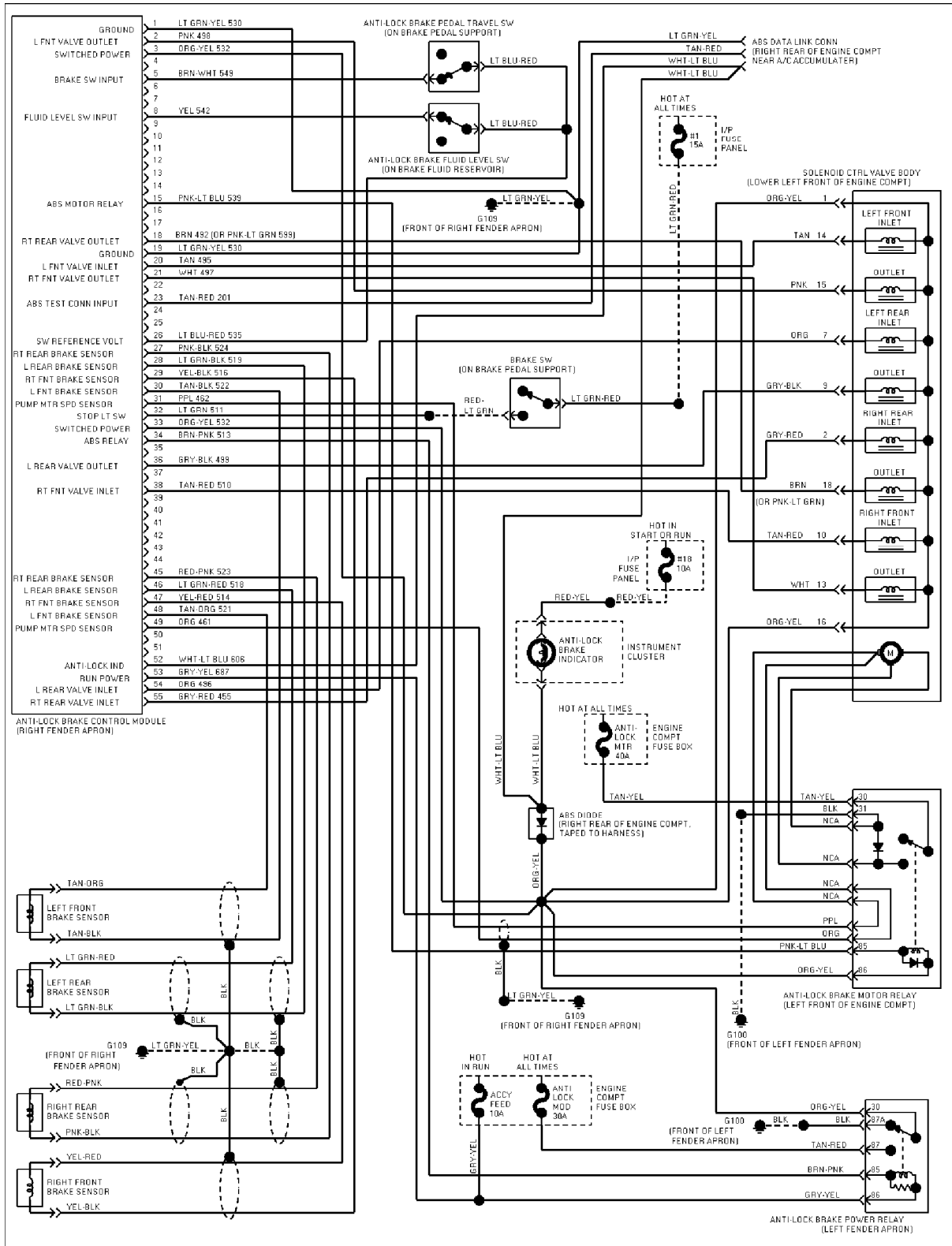
Selected Block (p. 3)

1994 Ford Taurus

For <http://www.mitchell.narod.ru/>

Copyright © 1997 Mitchell International

Friday, March 02, 2001 09:00PM



3.0L, Anti-lock Brake Circuits

3.2L

SYSTEM WIRING DIAGRAMS

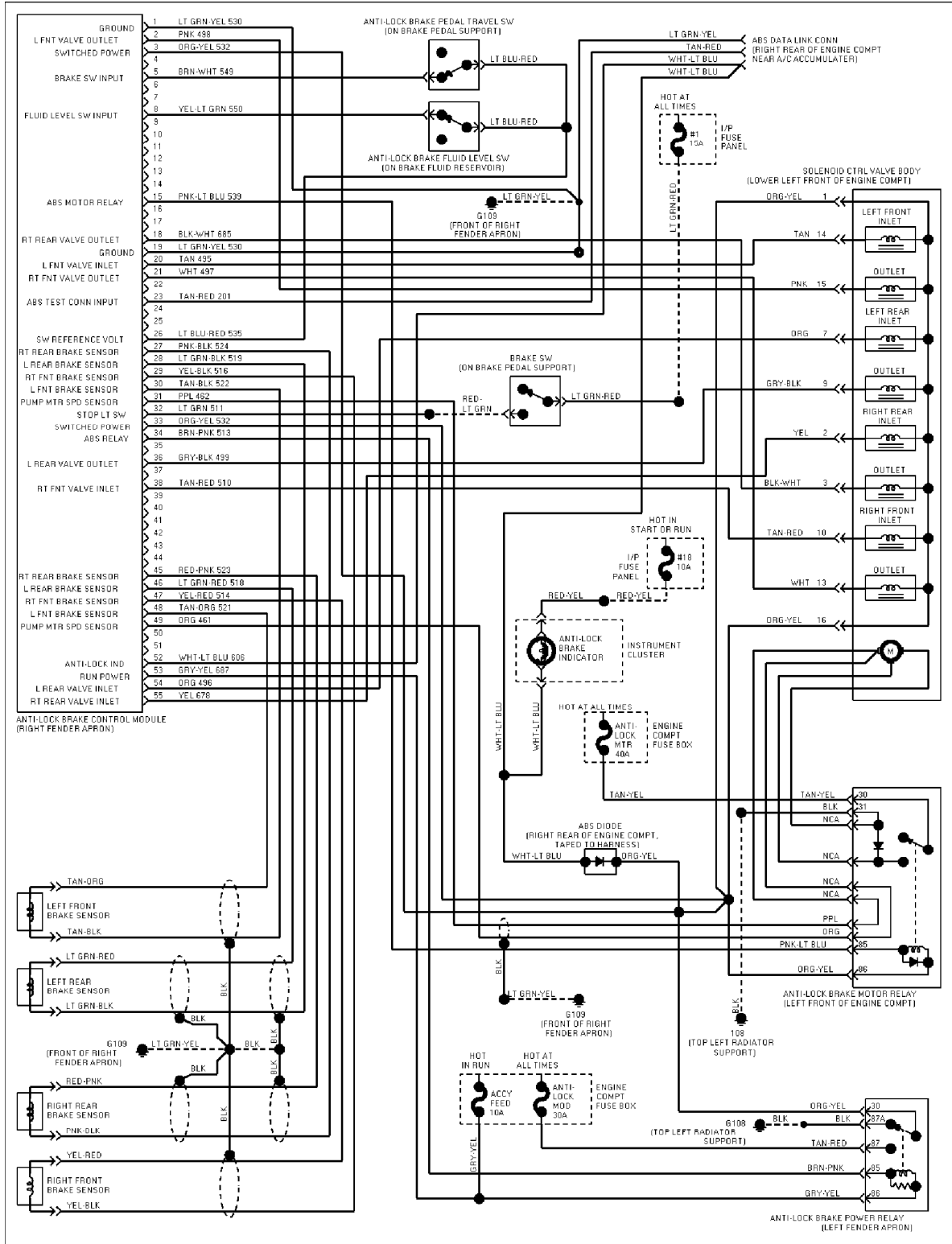
Selected Block (p. 4)

1994 Ford Taurus

For <http://www.mitchell.narod.ru/>

Copyright © 1997 Mitchell International

Friday, March 02, 2001 09:00PM



3.2L SHO, Anti-lock Brake Circuits

3.8L

SYSTEM WIRING DIAGRAMS

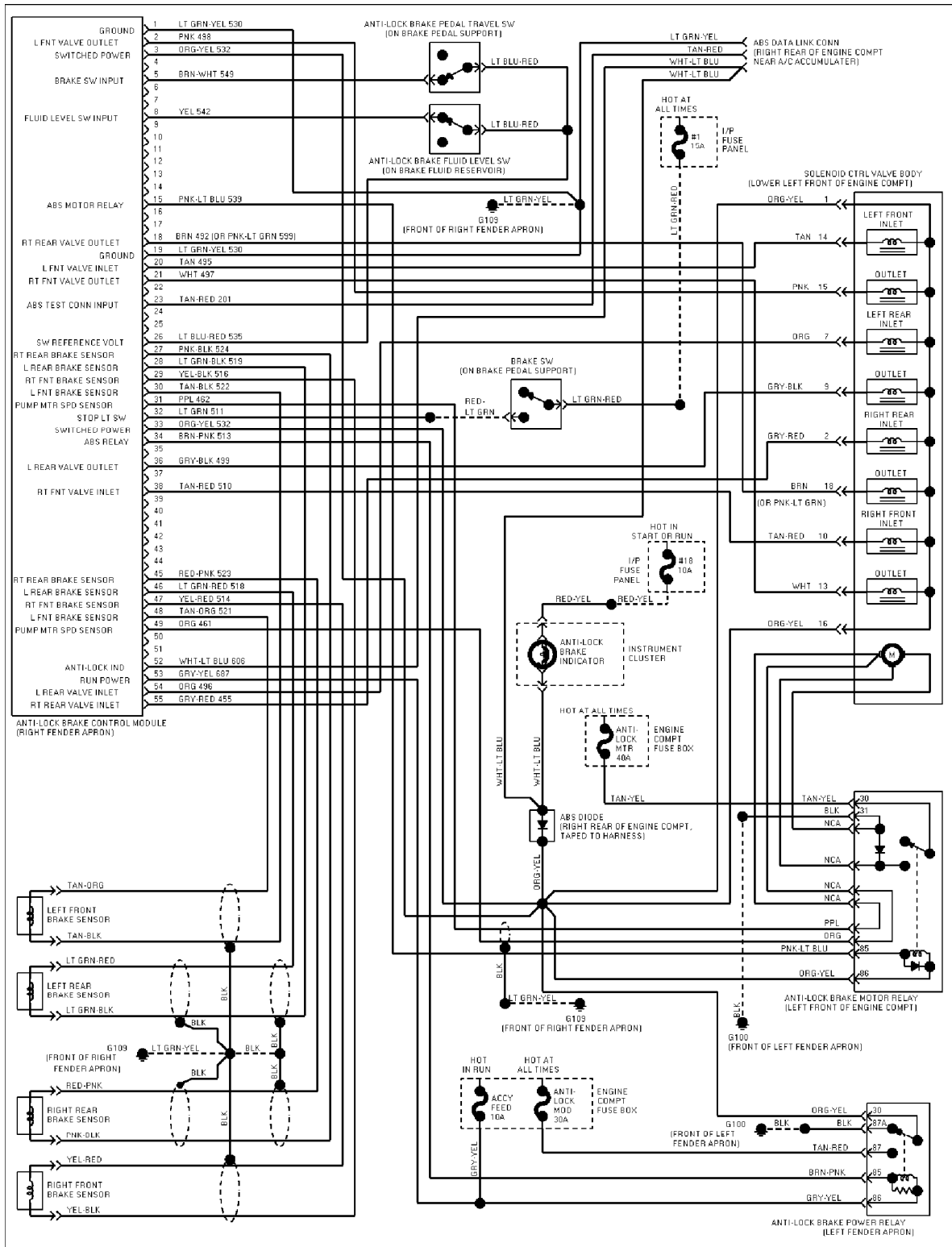
Selected Block (p. 5)

1994 Ford Taurus

For <http://www.mitchell.narod.ru/>

Copyright © 1997 Mitchell International

Friday, March 02, 2001 09:00PM



3.8L, Anti-lock Brake Circuits

SYSTEM WIRING DIAGRAMS

Selected Block

1994 Ford Taurus

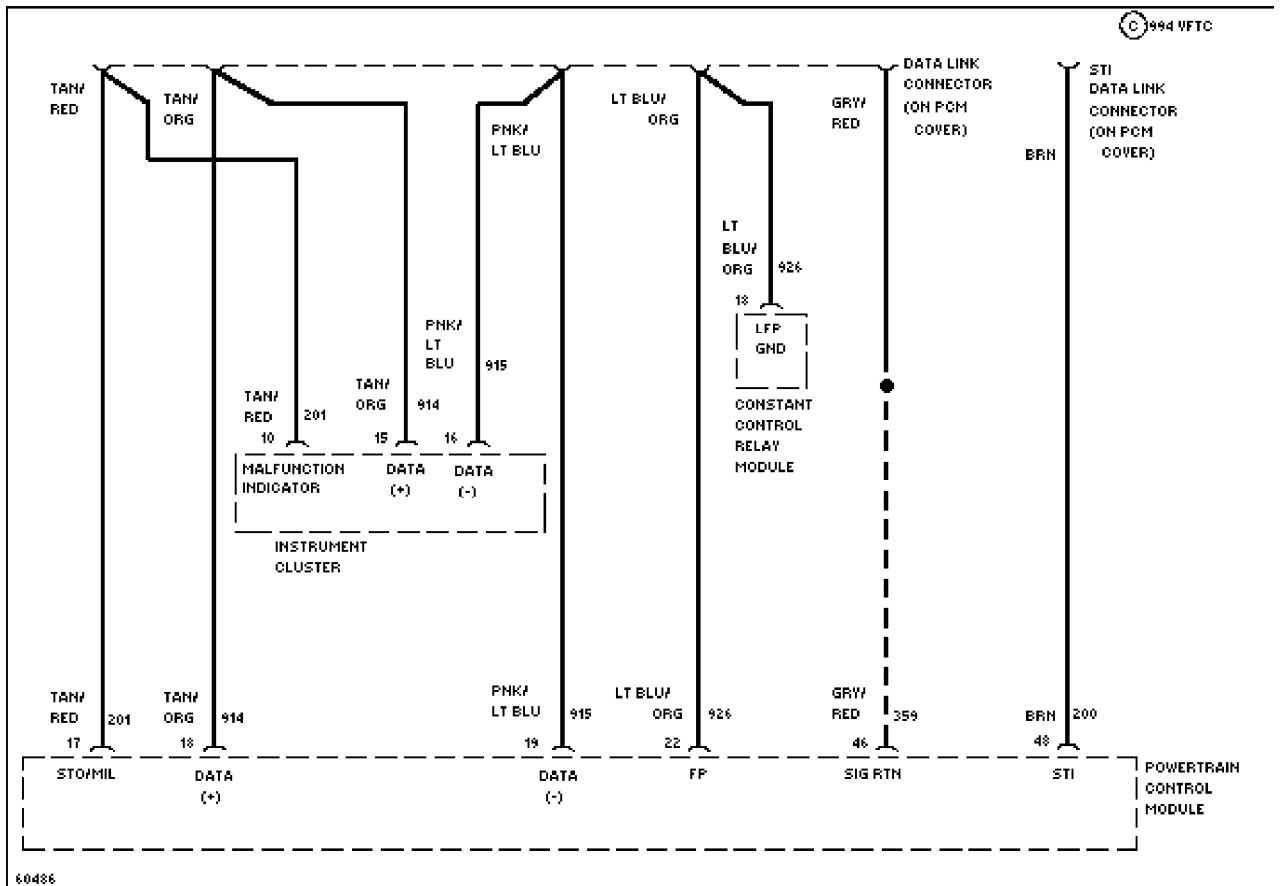
For <http://www.mitchell.narod.ru/>

Copyright © 1997 Mitchell International

Friday, March 02, 2001 09:01PM

COMPUTER DATA LINES

3.0L



3.0L Flex Fuel, Computer Data Lines

SYSTEM WIRING DIAGRAMS

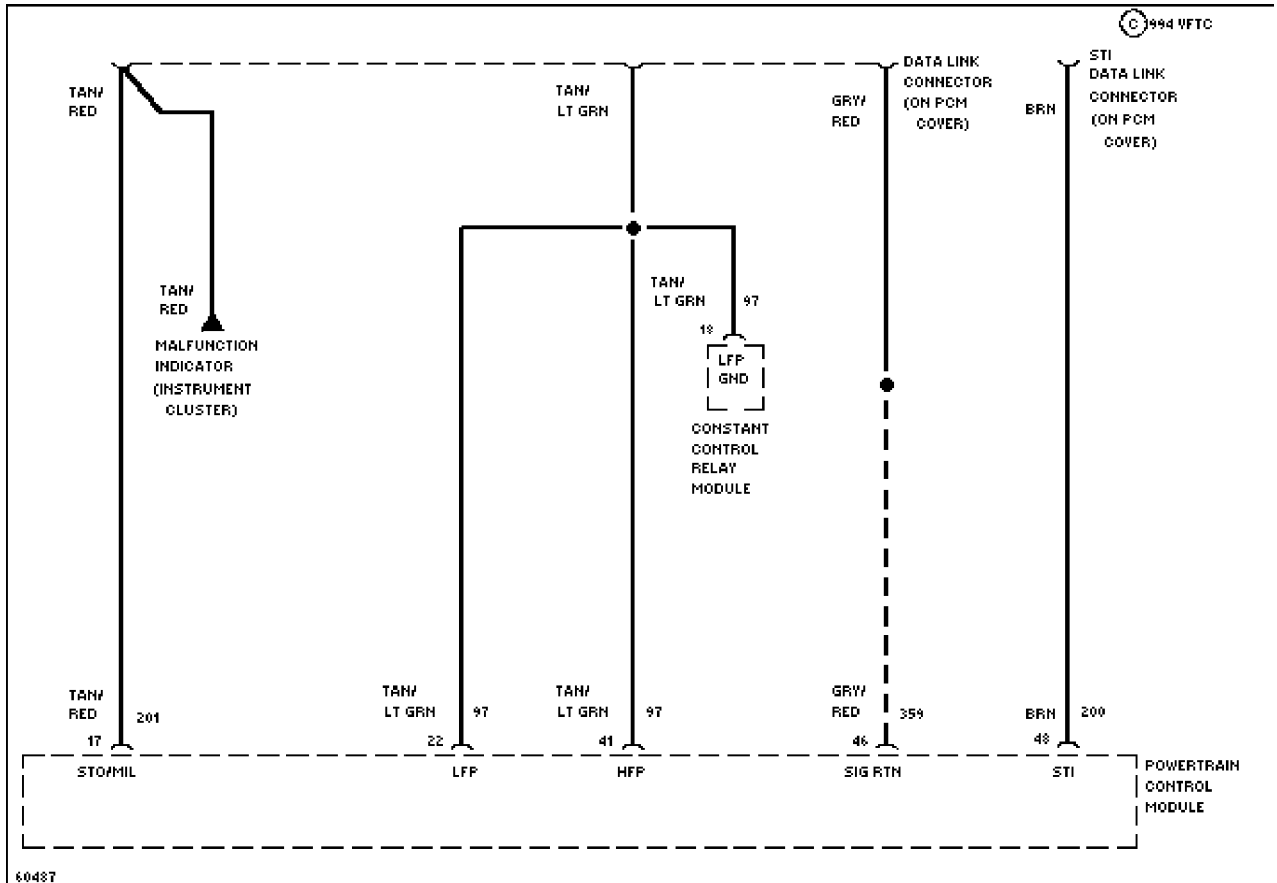
Selected Block (p. 2)

1994 Ford Taurus

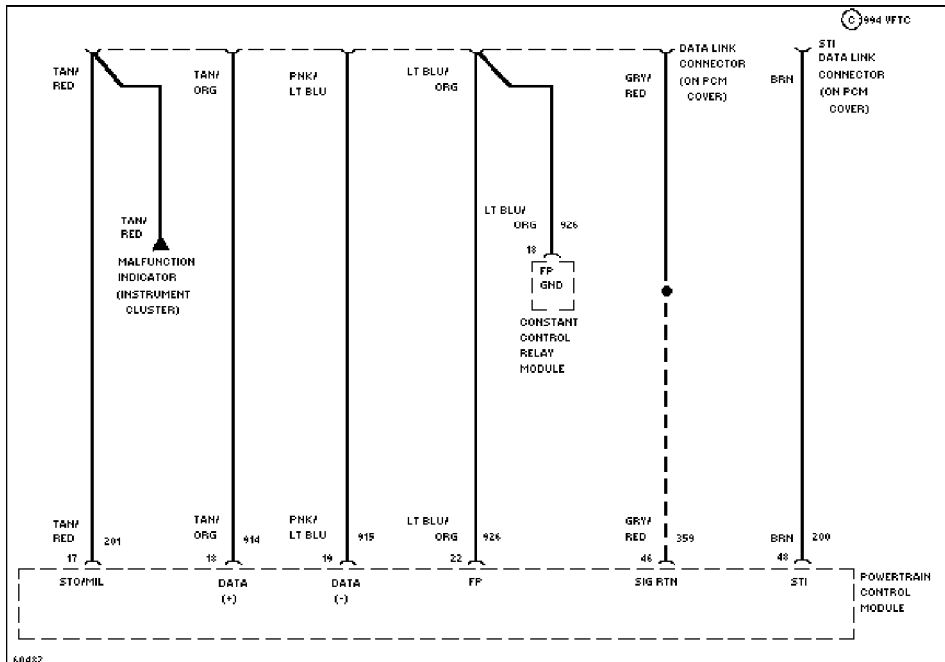
For <http://www.mitchell.narod.ru/>

Copyright © 1997 Mitchell International

Friday, March 02, 2001 09:01PM



3.0L SHO, Computer Data Lines



3.0L, Computer Data Lines

SYSTEM WIRING DIAGRAMS

Selected Block (p. 3)

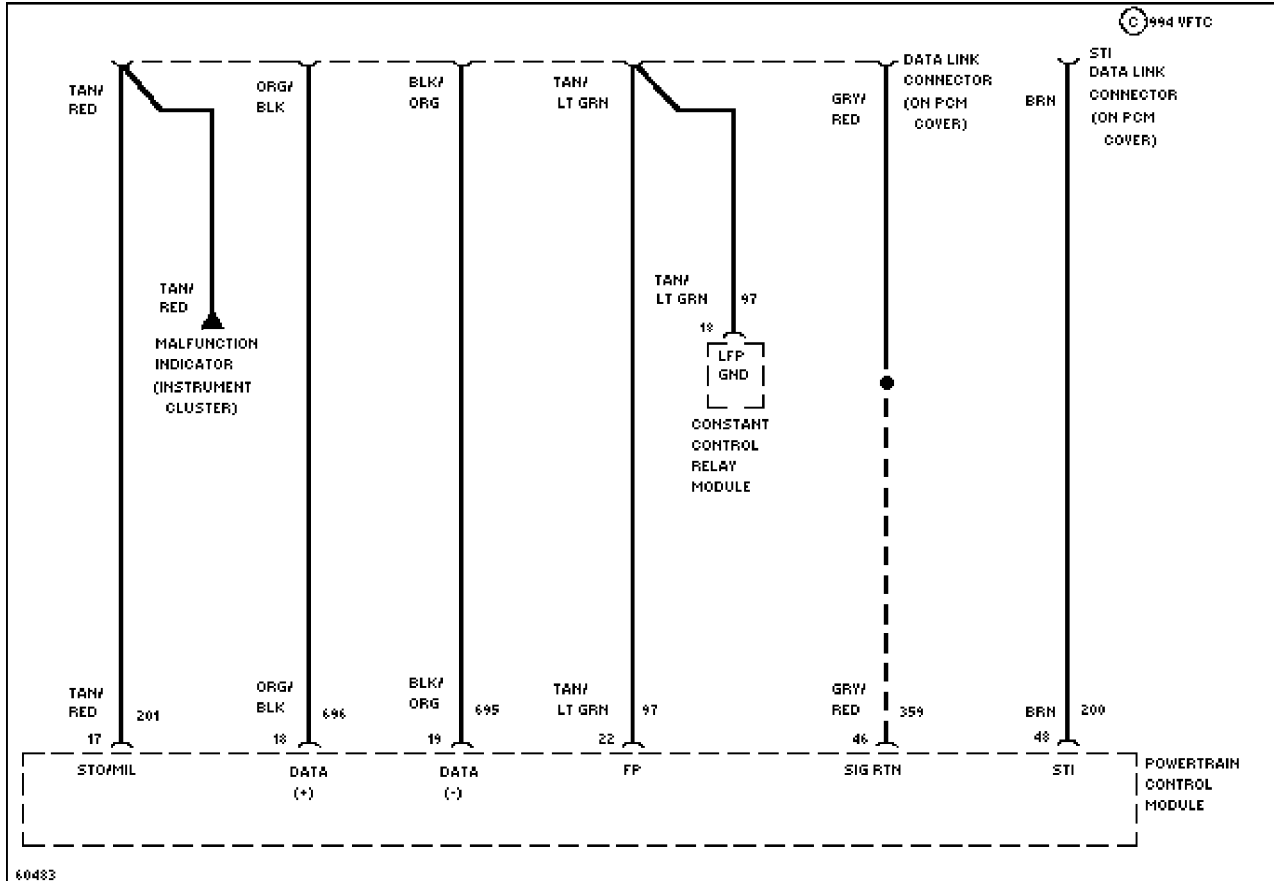
1994 Ford Taurus

For <http://www.mitchell.narod.ru/>

Copyright © 1997 Mitchell International

Friday, March 02, 2001 09:01PM

3.2L



3.2L SHO, Computer Data Lines

3.8L

SYSTEM WIRING DIAGRAMS

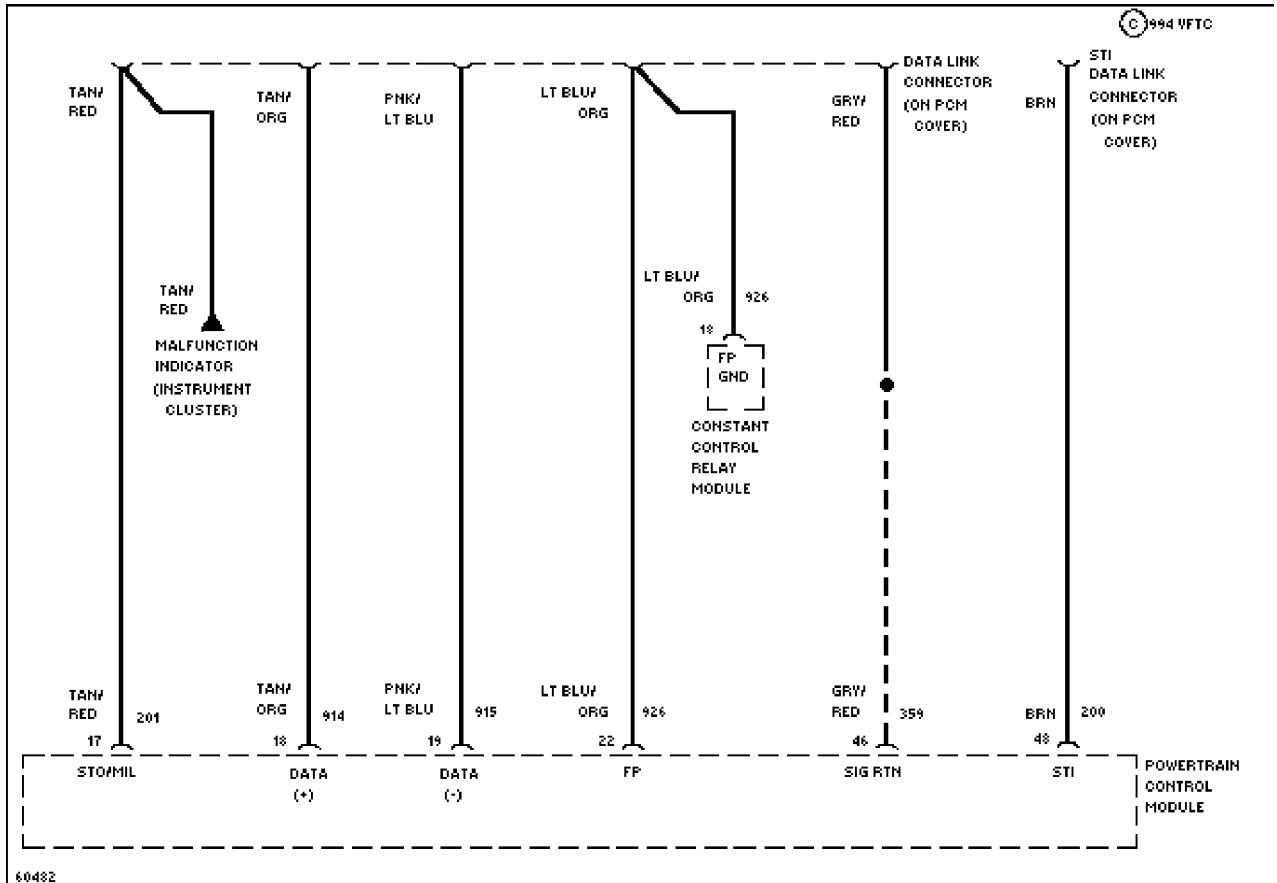
Selected Block (p. 4)

1994 Ford Taurus

For <http://www.mitchell.narod.ru/>

Copyright © 1997 Mitchell International

Friday, March 02, 2001 09:01PM



3.8L, Computer Data Lines

SYSTEM WIRING DIAGRAMS

Selected Block

1994 Ford Taurus

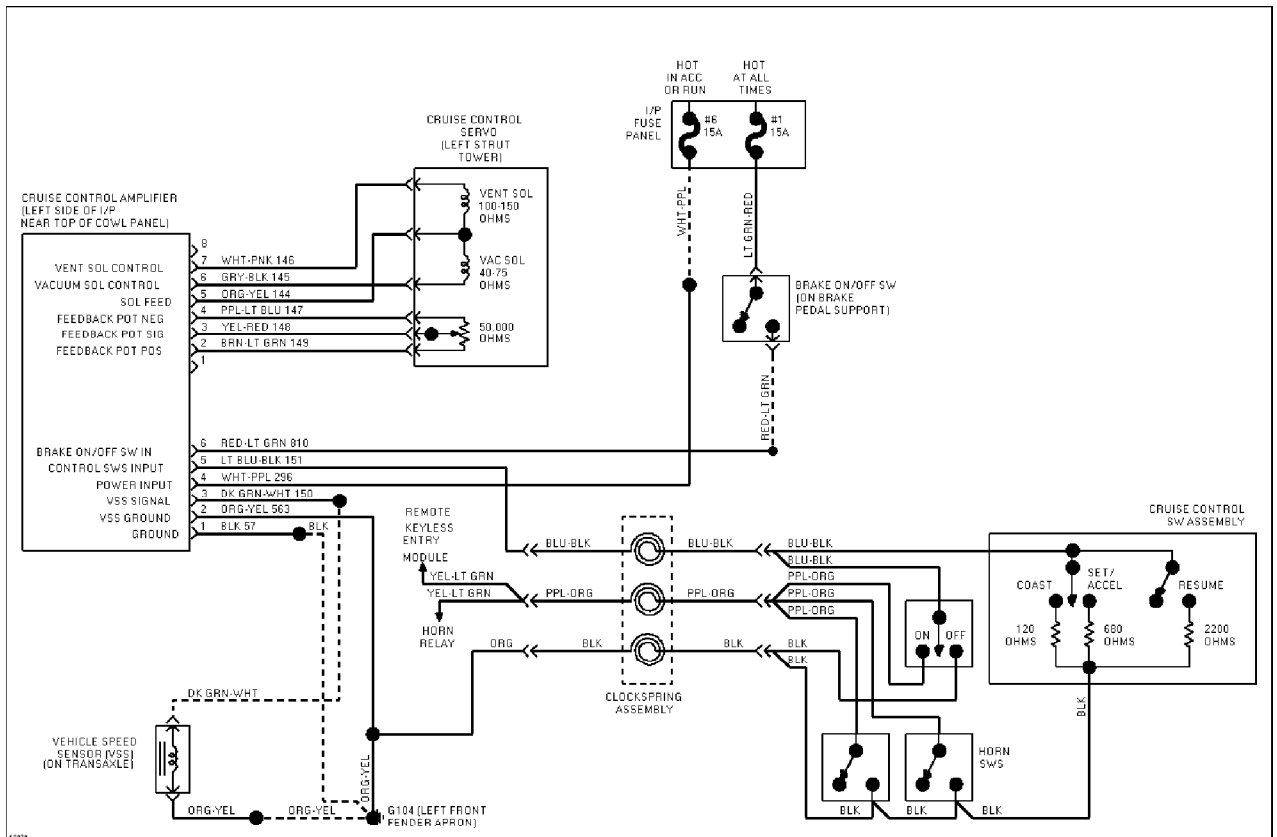
For <http://www.mitchell.narod.ru/>

Copyright © 1997 Mitchell International

Friday, March 02, 2001 09:01PM

CRUISE CONTROL

3.0L



3.0L Flex Fuel, Cruise Control Circuit

SYSTEM WIRING DIAGRAMS

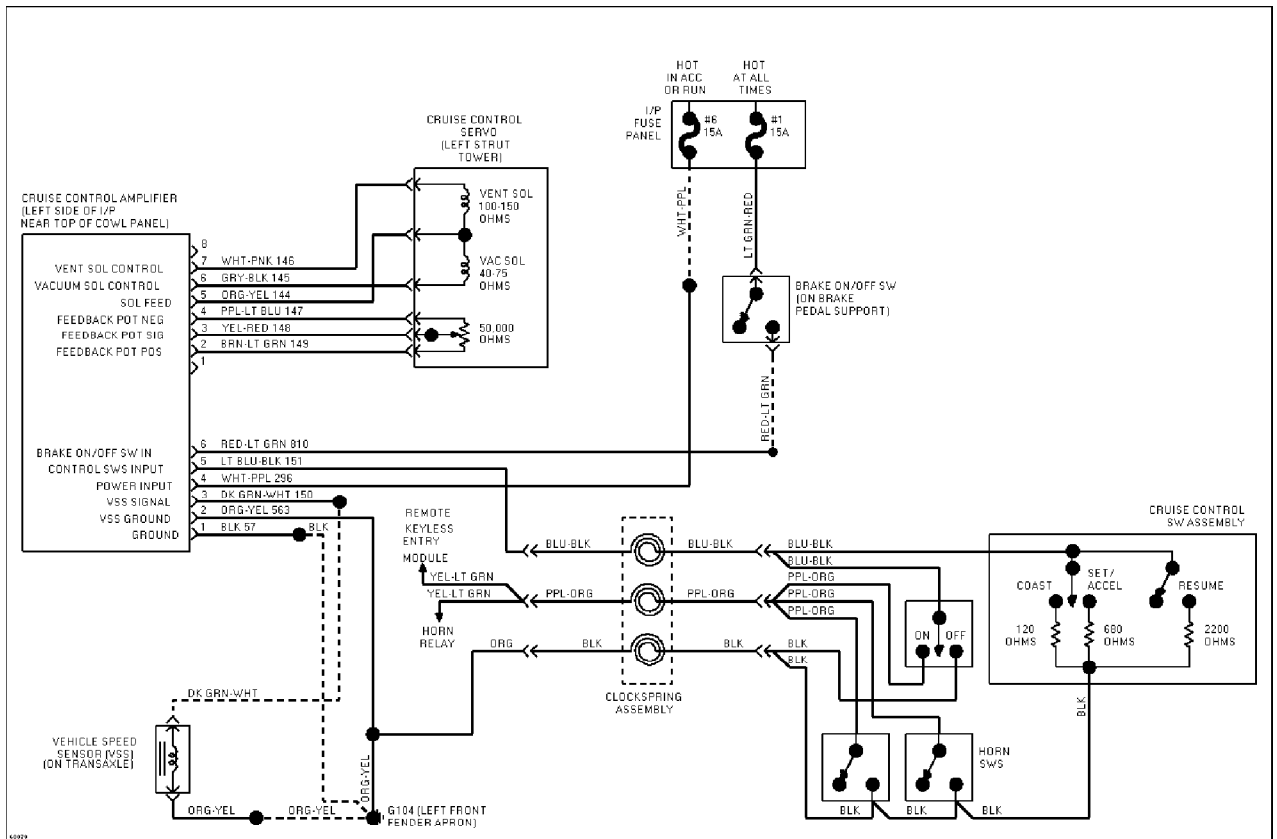
Selected Block (p. 3)

1994 Ford Taurus

For <http://www.mitchell.narod.ru/>

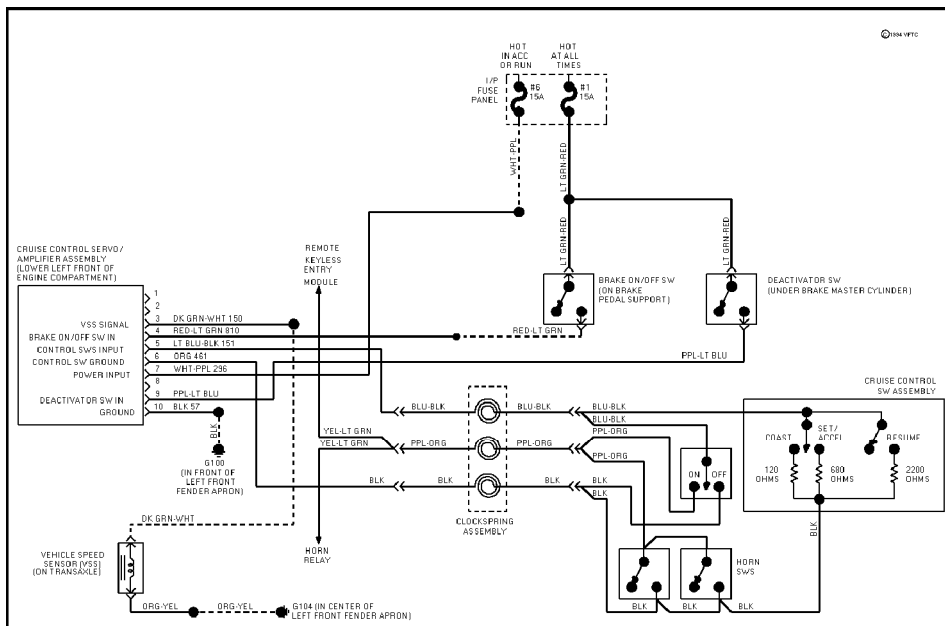
Copyright © 1997 Mitchell International

Friday, March 02, 2001 09:01PM



3.0L, Cruise Control Circuit

3.2L



3.2L SHO, Cruise Control Circuit

3.8L

SYSTEM WIRING DIAGRAMS

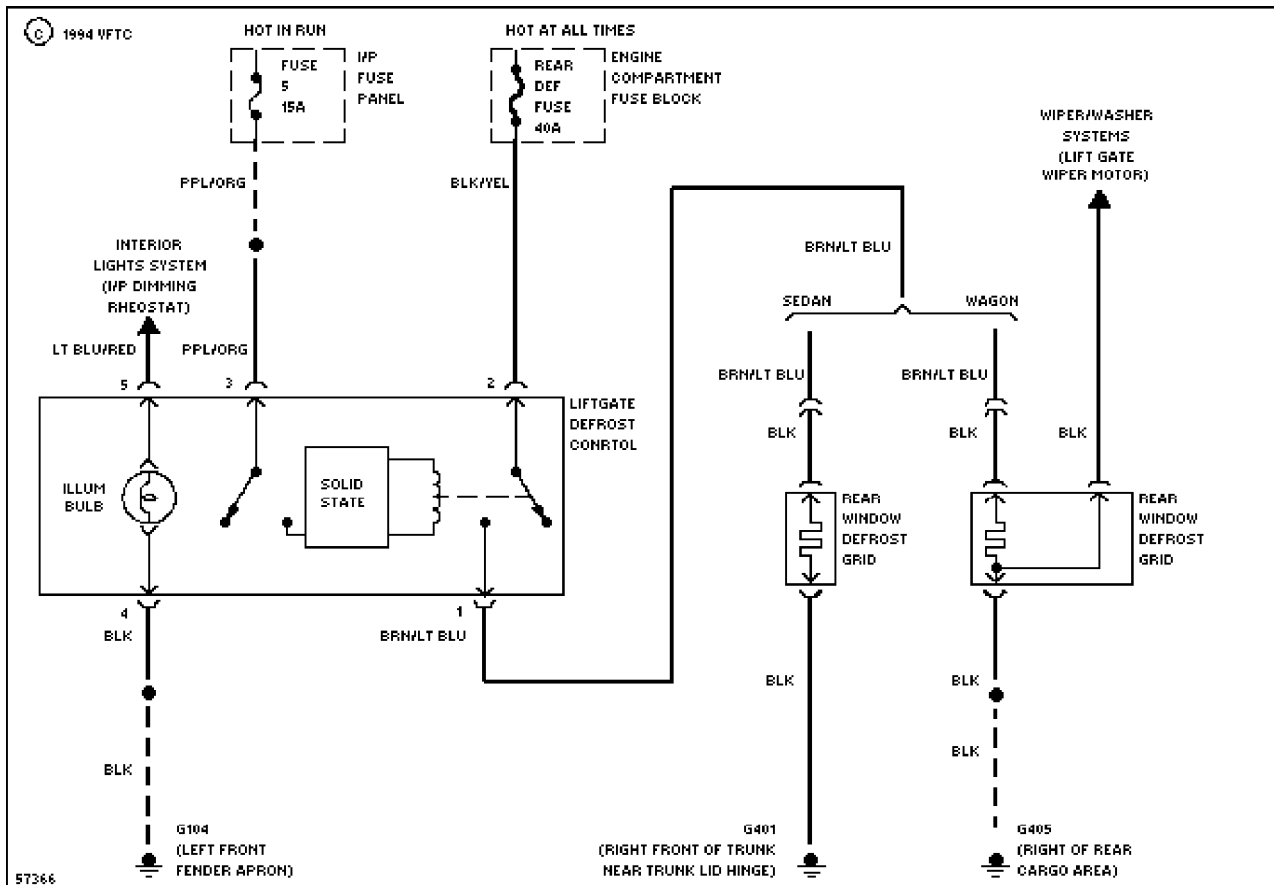
Selected Block (p. 5)

1994 Ford Taurus

For <http://www.mitchell.narod.ru/>

Copyright © 1997 Mitchell International

Friday, March 02, 2001 09:01PM



Defogger Circuit

SYSTEM WIRING DIAGRAMS

Selected Block

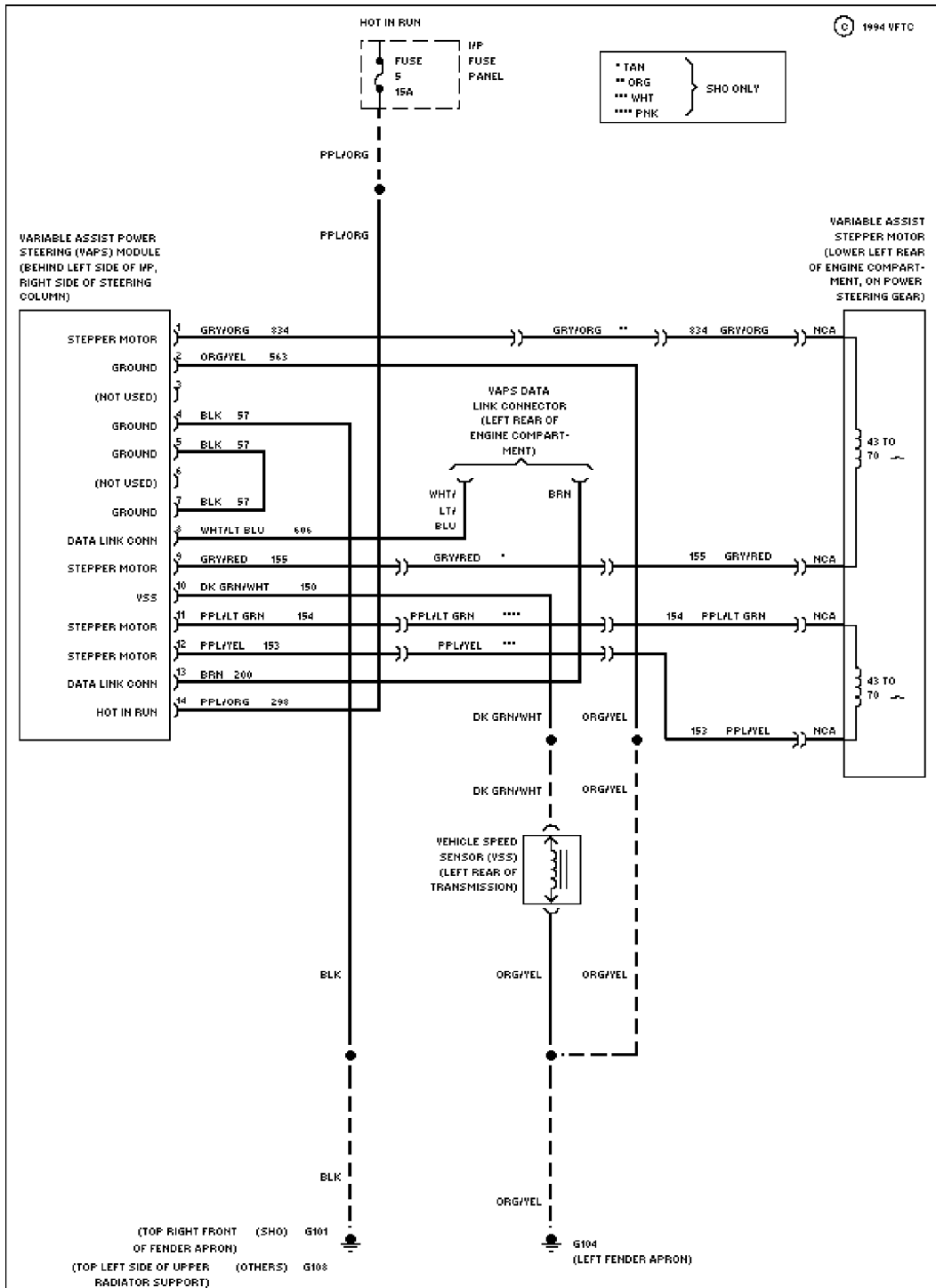
1994 Ford Taurus

For <http://www.mitchell.narod.ru/>

Copyright © 1997 Mitchell International

Friday, March 02, 2001 09:01PM

ELECTRONIC POWER STEERING



57383 Electronic Power Steering Circuit

SYSTEM WIRING DIAGRAMS

Selected Block (p. 2)

1994 Ford Taurus

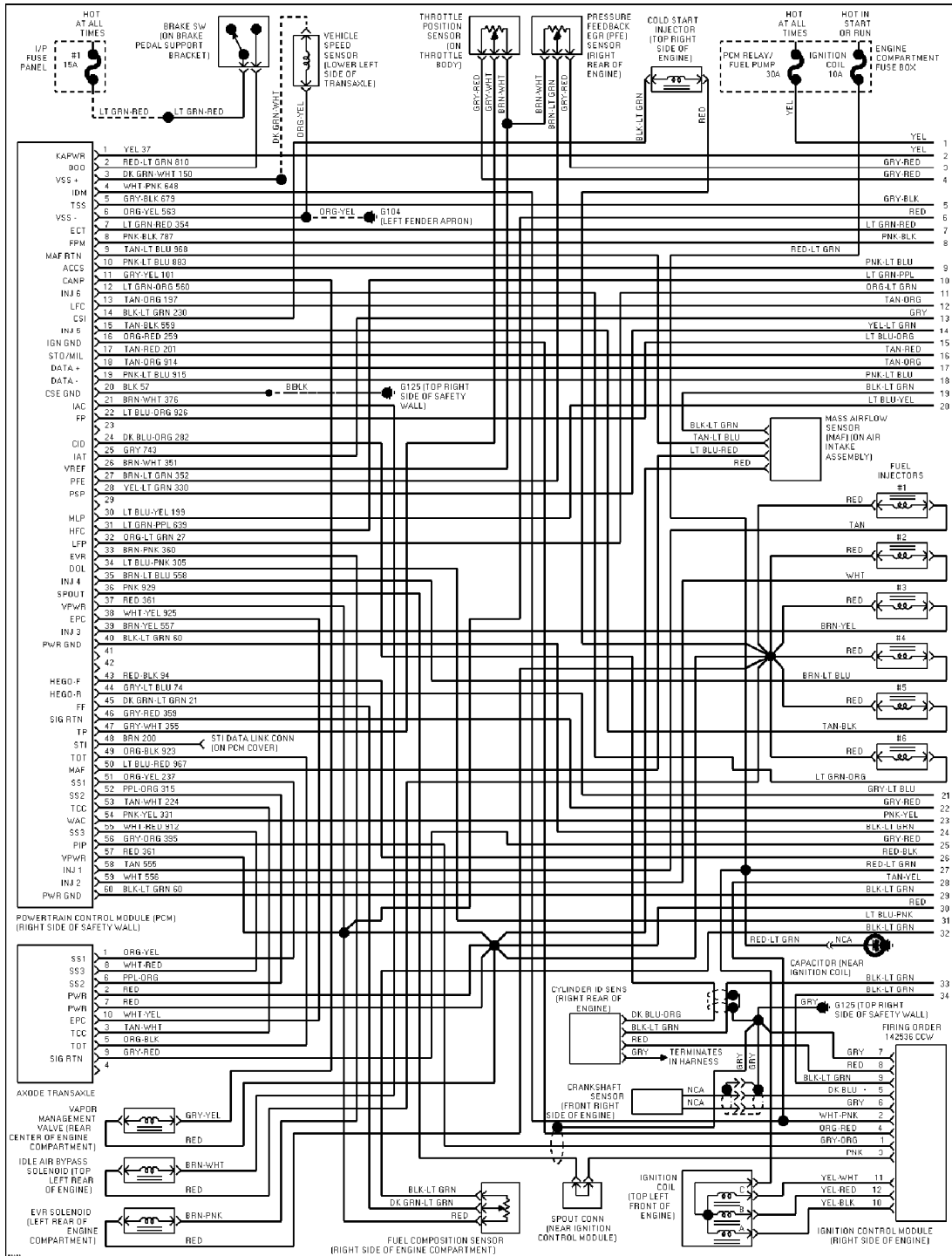
For <http://www.mitchell.narod.ru/>

Copyright © 1997 Mitchell International

Friday, March 02, 2001 09:01PM

ENGINE PERFORMANCE

3.0L



3.0L Flex Fuel, Engine Performance Circuits (1 of 2)

SYSTEM WIRING DIAGRAMS

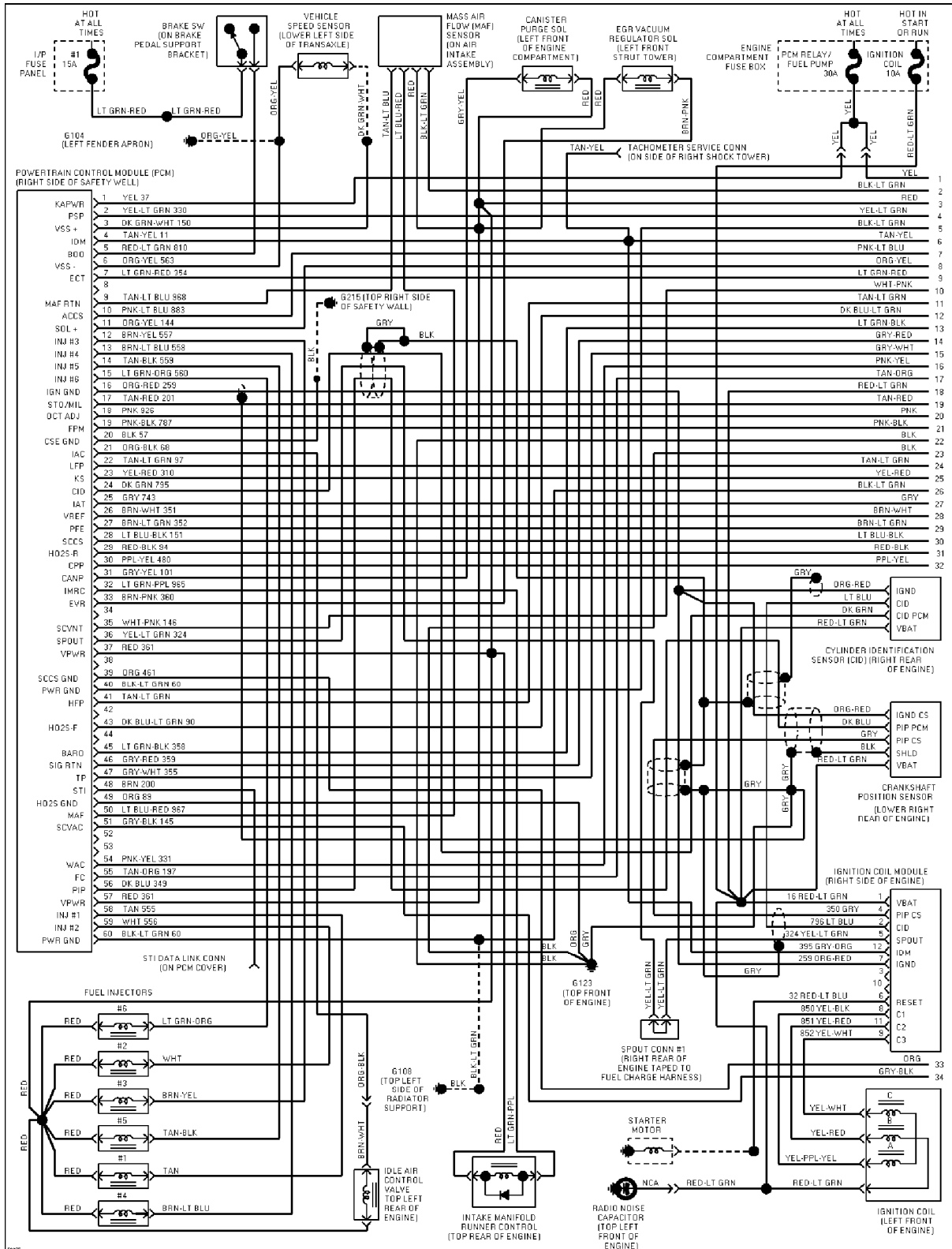
Selected Block (p. 4)

1994 Ford Taurus

For <http://www.mitchell.narod.ru/>

Copyright © 1997 Mitchell International

Friday, March 02, 2001 09:01PM



SYSTEM WIRING DIAGRAMS

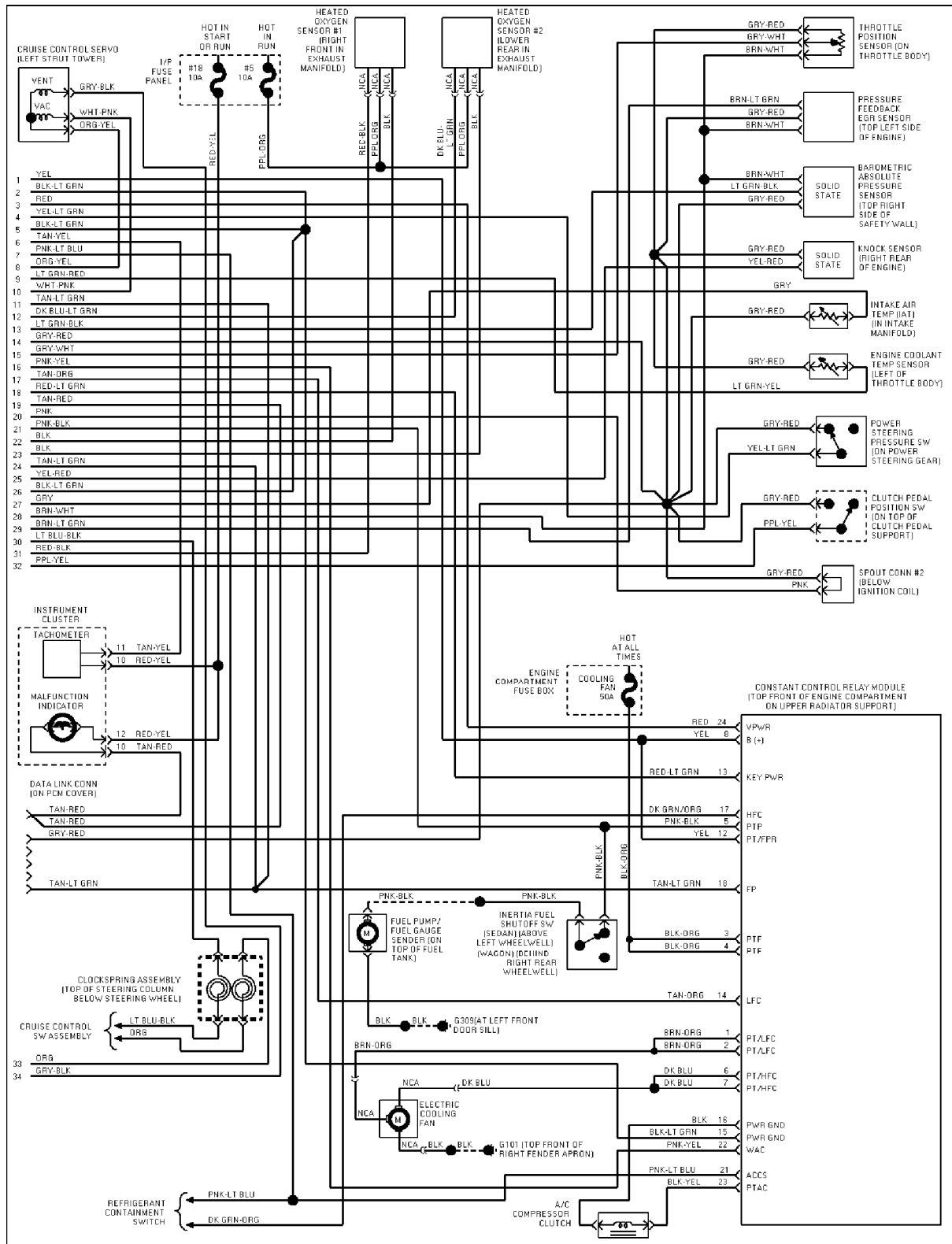
Selected Block (p. 5)

1994 Ford Taurus

For <http://www.mitchell.narod.ru/>

Copyright © 1997 Mitchell International

Friday, March 02, 2001 09:01PM



SYSTEM WIRING DIAGRAMS

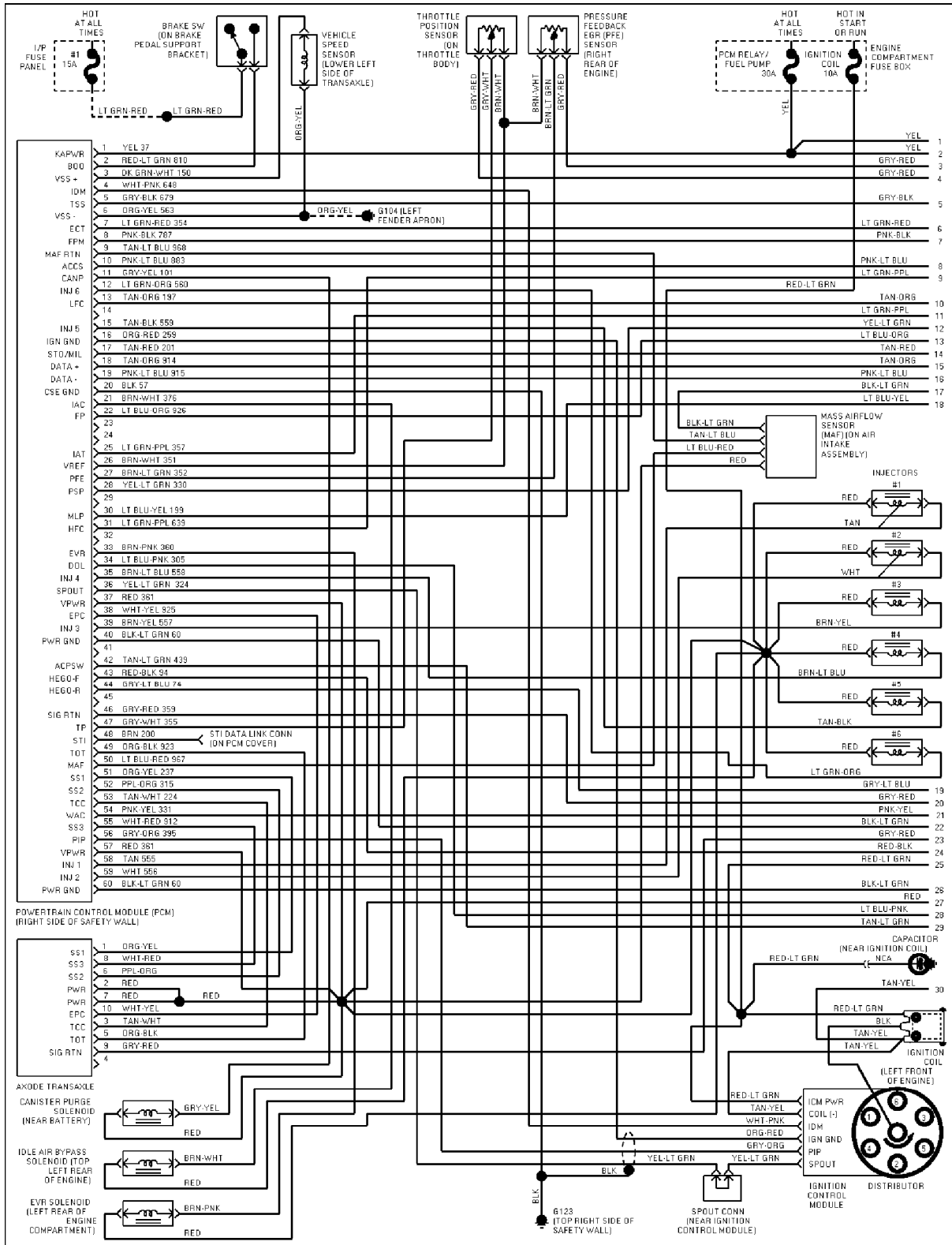
Selected Block (p. 6)

1994 Ford Taurus

For <http://www.mitchell.narod.ru/>

Copyright © 1997 Mitchell International

Friday, March 02, 2001 09:01PM



SYSTEM WIRING DIAGRAMS

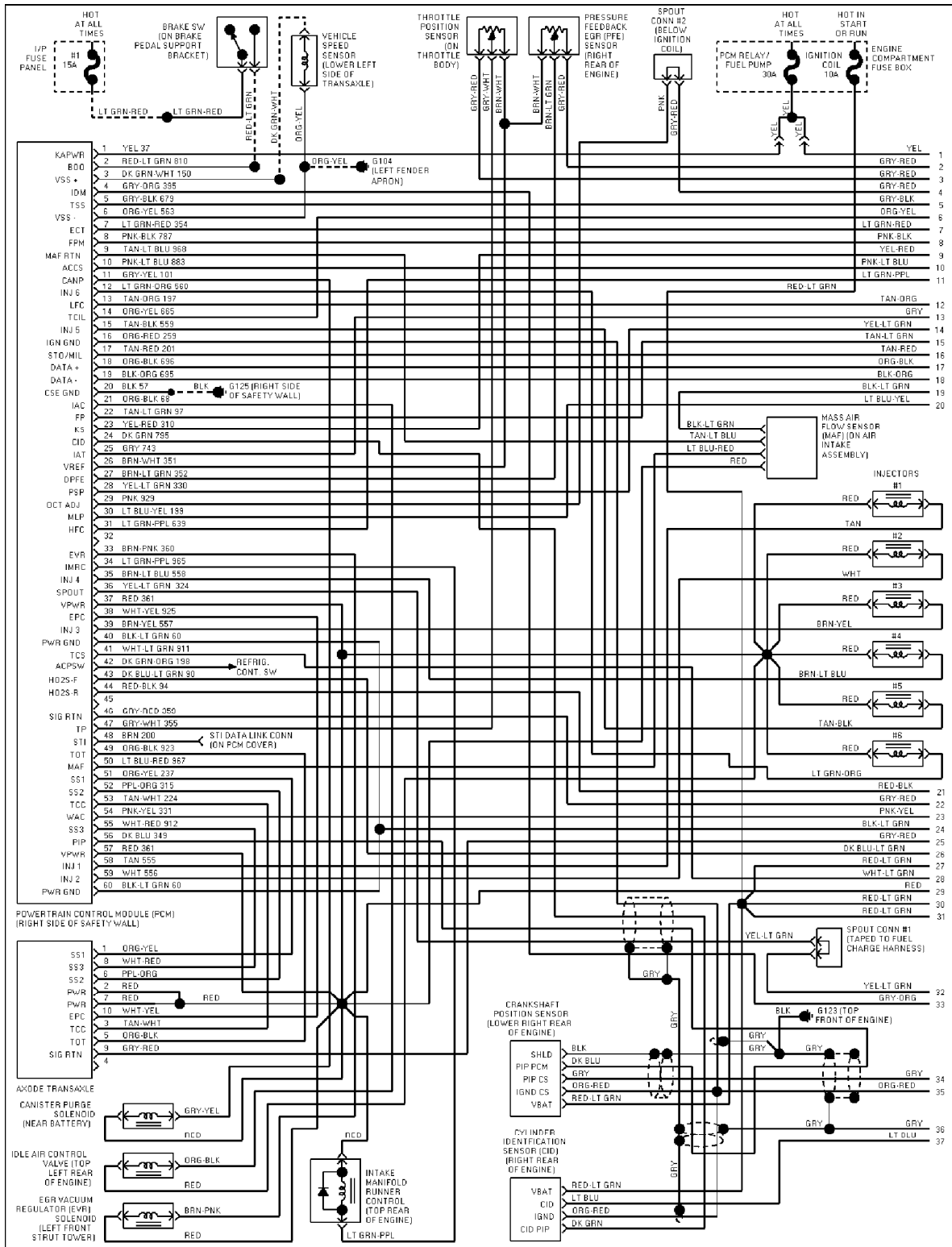
Selected Block (p. 8)

1994 Ford Taurus

For <http://www.mitchell.narod.ru/>

Copyright © 1997 Mitchell International

Friday, March 02, 2001 09:01PM



3.2L SHO, Engine Performance Circuits (1 of 2)

SYSTEM WIRING DIAGRAMS

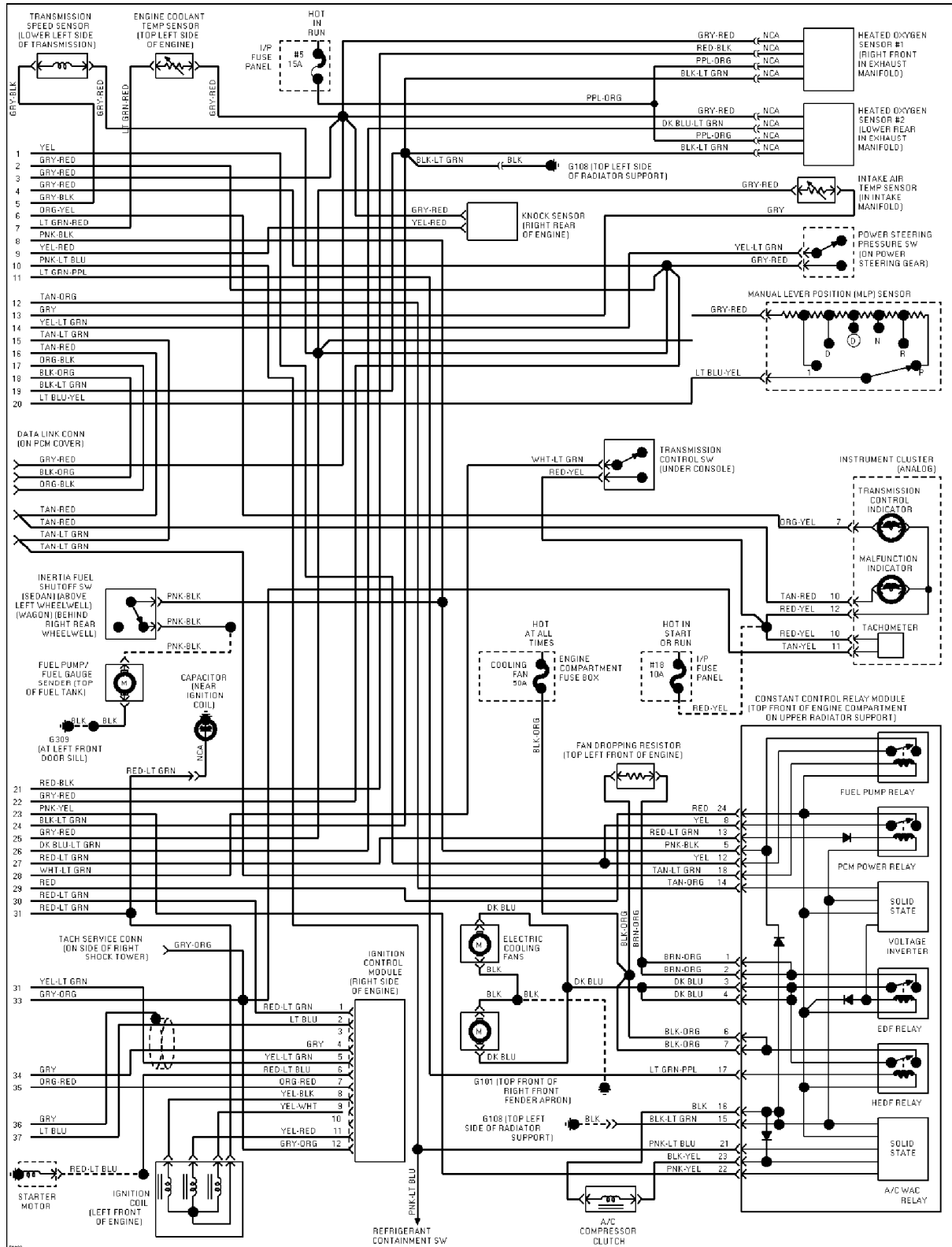
Selected Block (p. 9)

1994 Ford Taurus

For <http://www.mitchell.narod.ru/>

Copyright © 1997 Mitchell International

Friday, March 02, 2001 09:01PM



3.2L SHO, Engine Performance Circuits (2 of 2)

SYSTEM WIRING DIAGRAMS

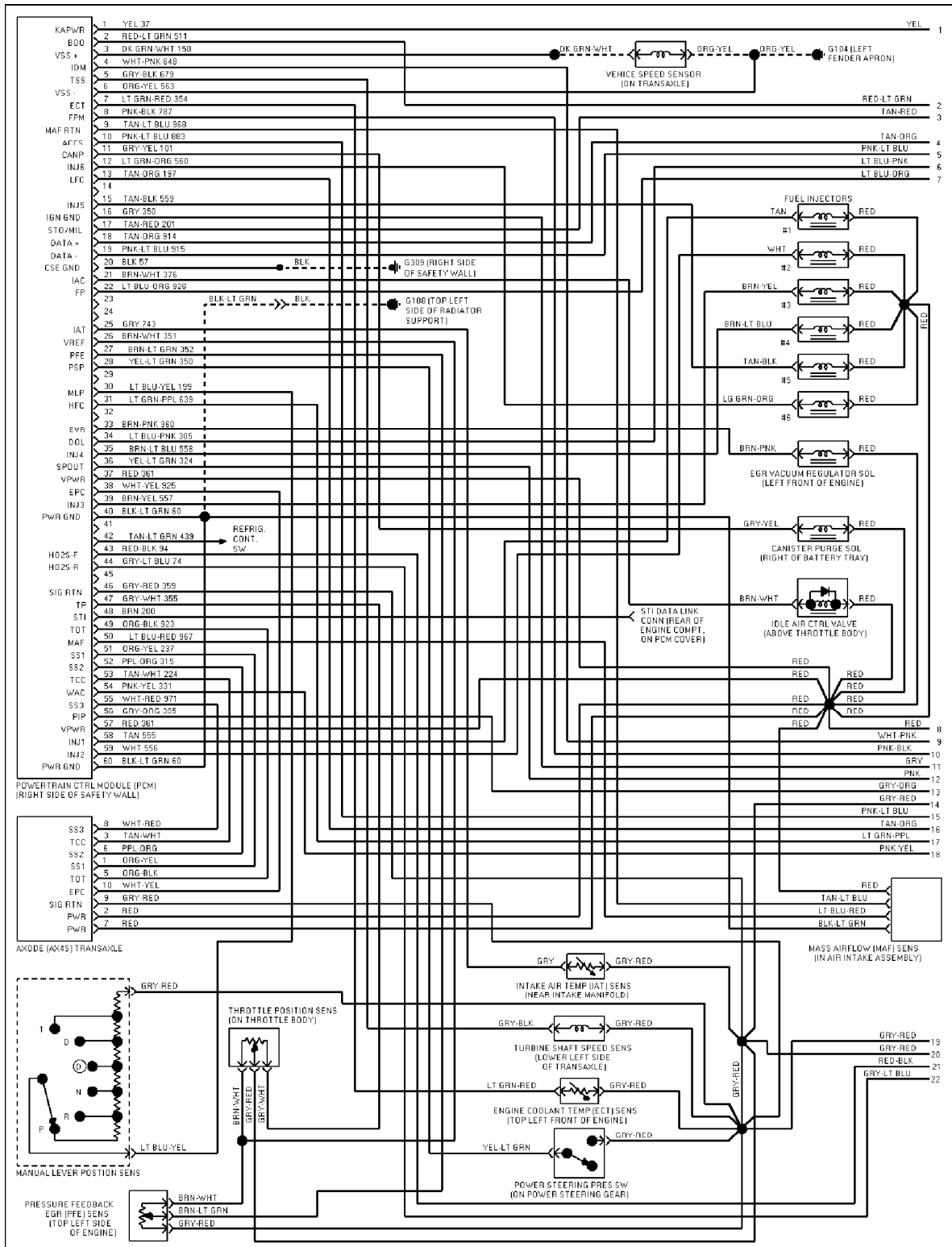
Selected Block (p. 10)

1994 Ford Taurus

For <http://www.mitchell.narod.ru/>

Copyright © 1997 Mitchell International

Friday, March 02, 2001 09:01PM



3.8L, Engine Performance Circuits (1 of 2)

SYSTEM WIRING DIAGRAMS

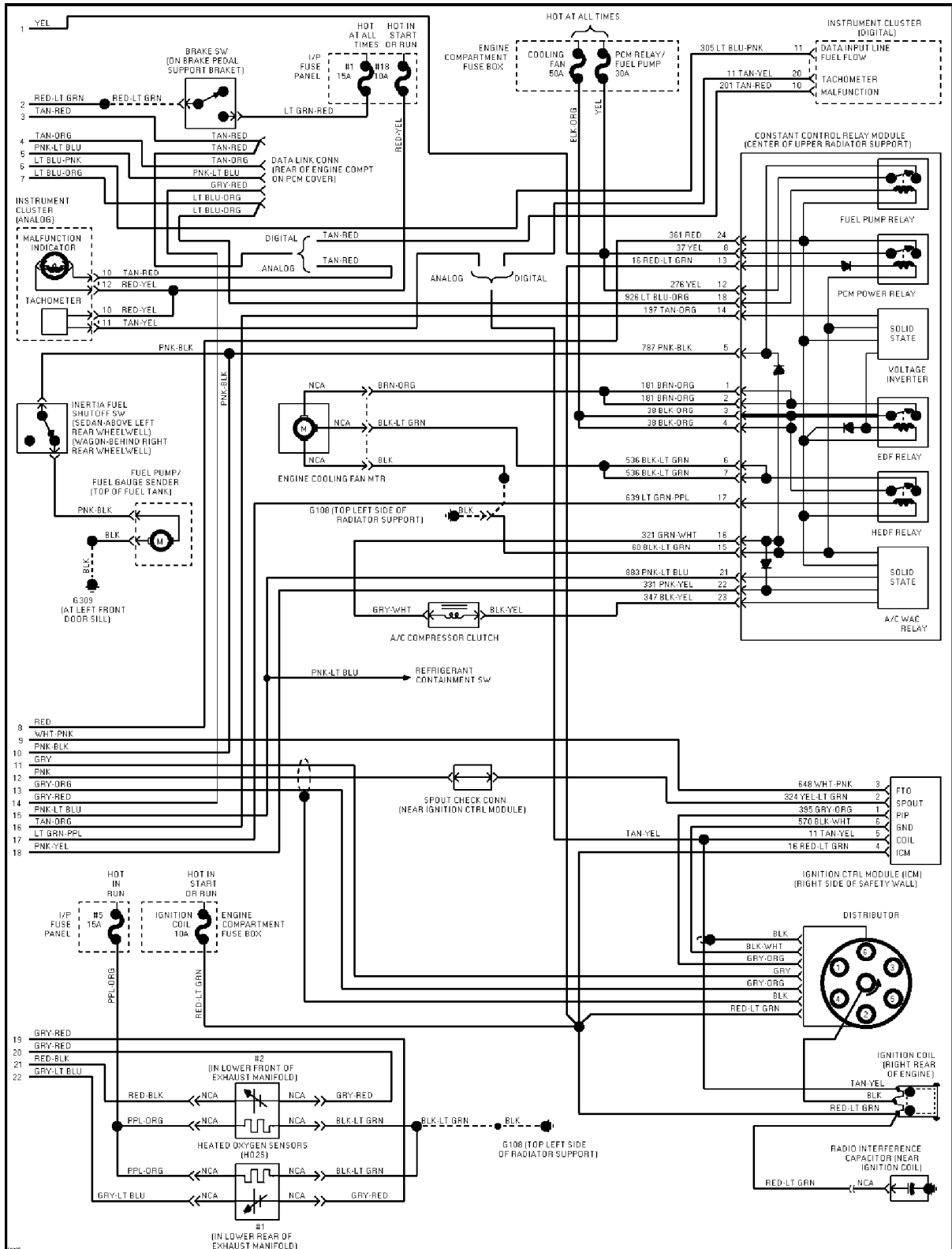
Selected Block (p. 11)

1994 Ford Taurus

For <http://www.mitchell.narod.ru/>

Copyright © 1997 Mitchell International

Friday, March 02, 2001 09:01PM



SYSTEM WIRING DIAGRAMS

Selected Block

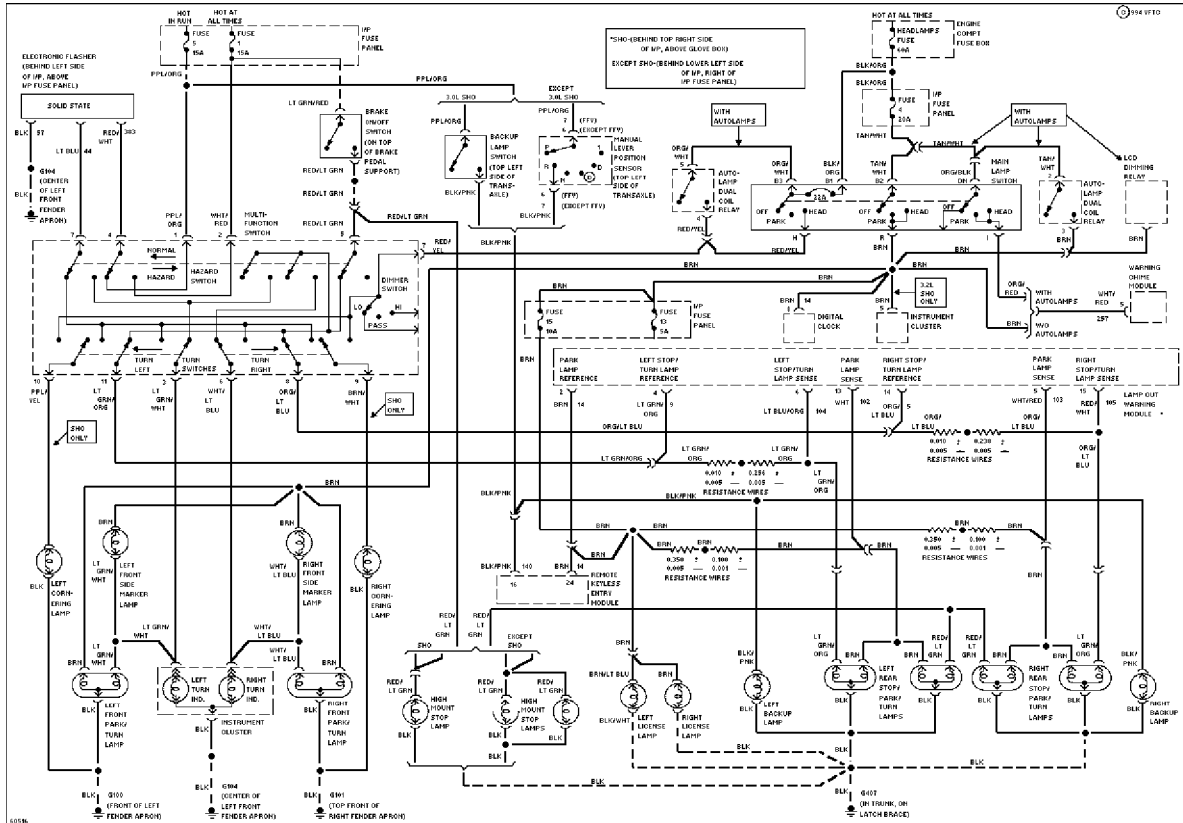
1994 Ford Taurus

For <http://www.mitchell.narod.ru/>

Copyright © 1997 Mitchell International

Friday, March 02, 2001 09:01PM

EXTERIOR LIGHTS



Exterior Light Circuit, Sedan W/ Lamp Monitor

SYSTEM WIRING DIAGRAMS

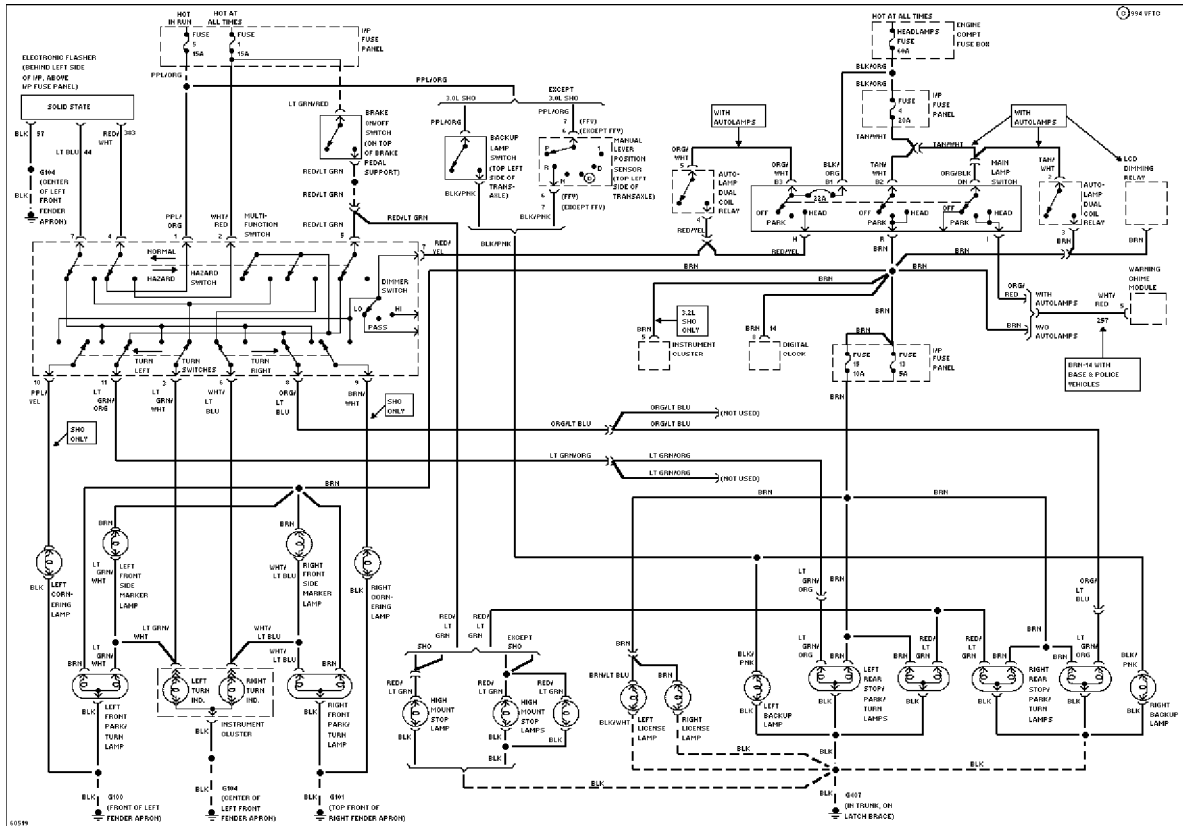
Selected Block (p. 2)

1994 Ford Taurus

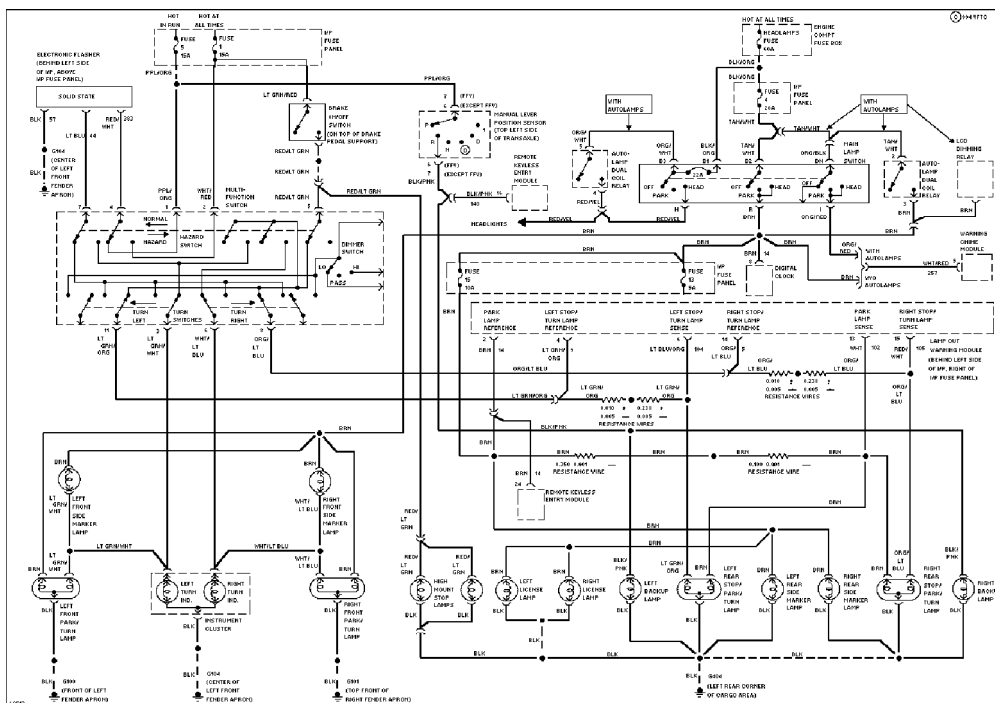
For <http://www.mitchell.narod.ru/>

Copyright © 1997 Mitchell International

Friday, March 02, 2001 09:01PM



Exterior Light Circuit, Sedan W/O Lamp Monitor



Exterior Light Circuit, Wagon

SYSTEM WIRING DIAGRAMS

Selected Block (p. 3)

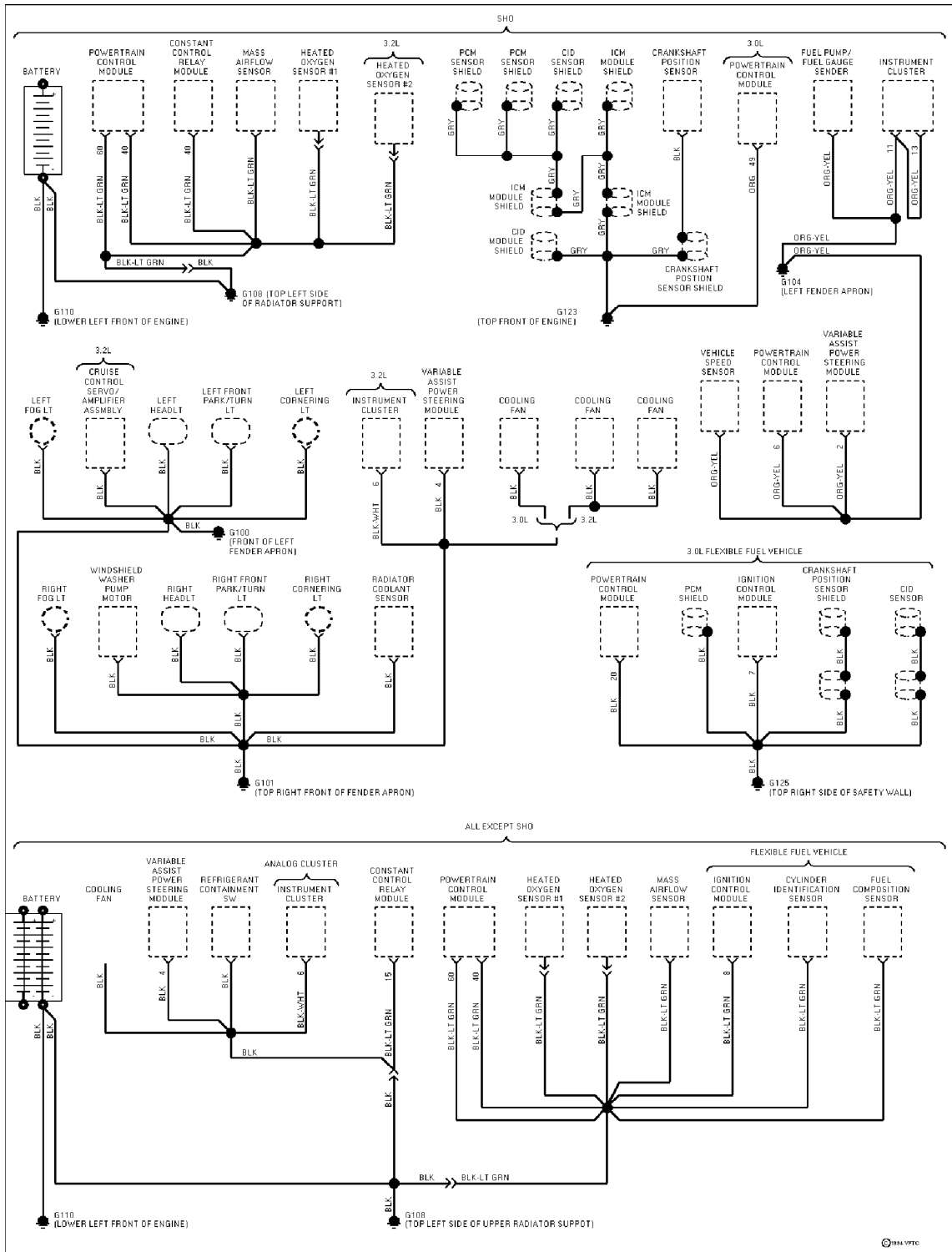
1994 Ford Taurus

For <http://www.mitchell.narod.ru/>

Copyright © 1997 Mitchell International

Friday, March 02, 2001 09:01PM

GROUND DISTRIBUTION



Ground Distribution Circuit (1 of 5)

SYSTEM WIRING DIAGRAMS

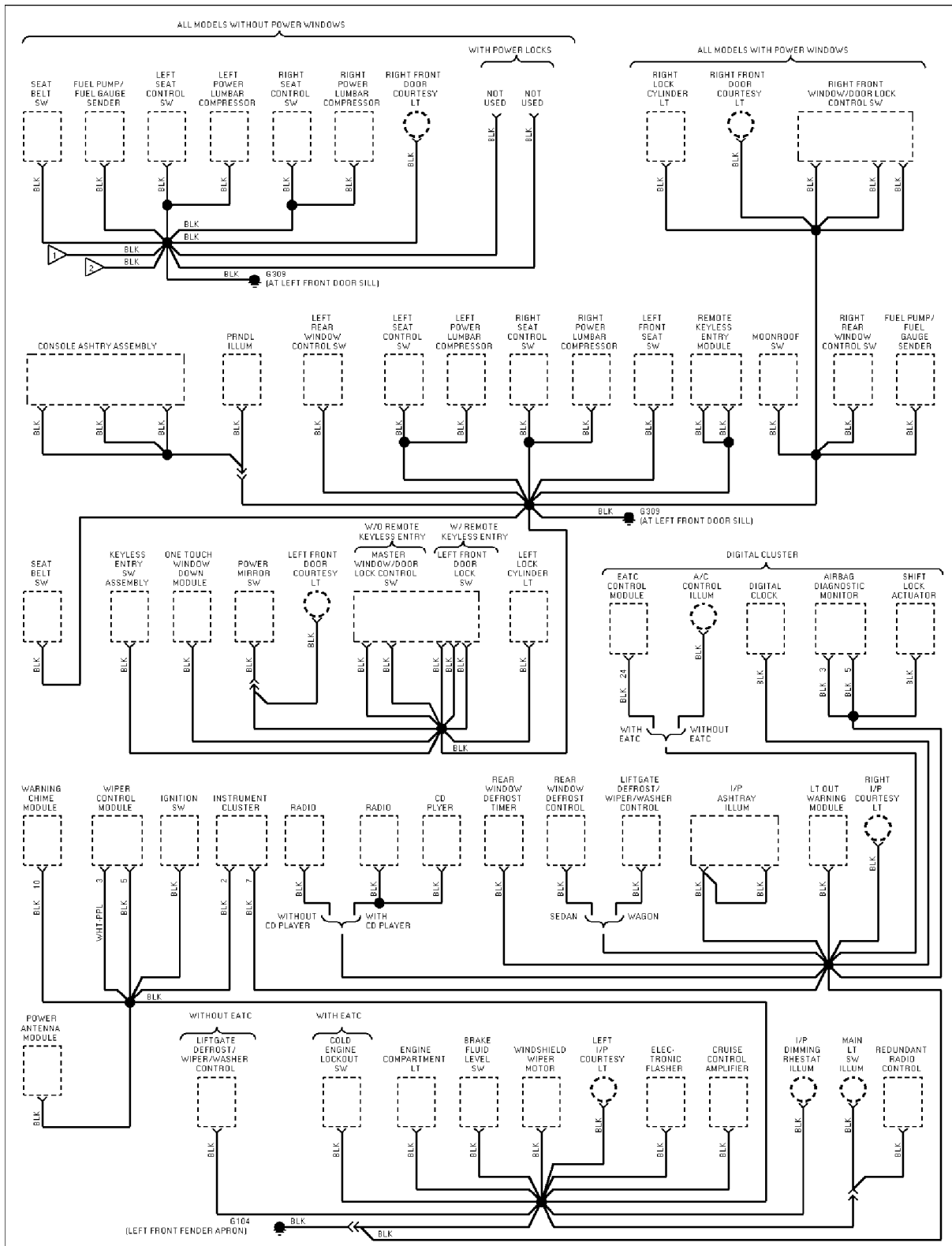
Selected Block (p. 5)

1994 Ford Taurus

For <http://www.mitchell.narod.ru/>

Copyright © 1997 Mitchell International

Friday, March 02, 2001 09:01PM



Ground Distribution Circuit (3 of 5)

SYSTEM WIRING DIAGRAMS

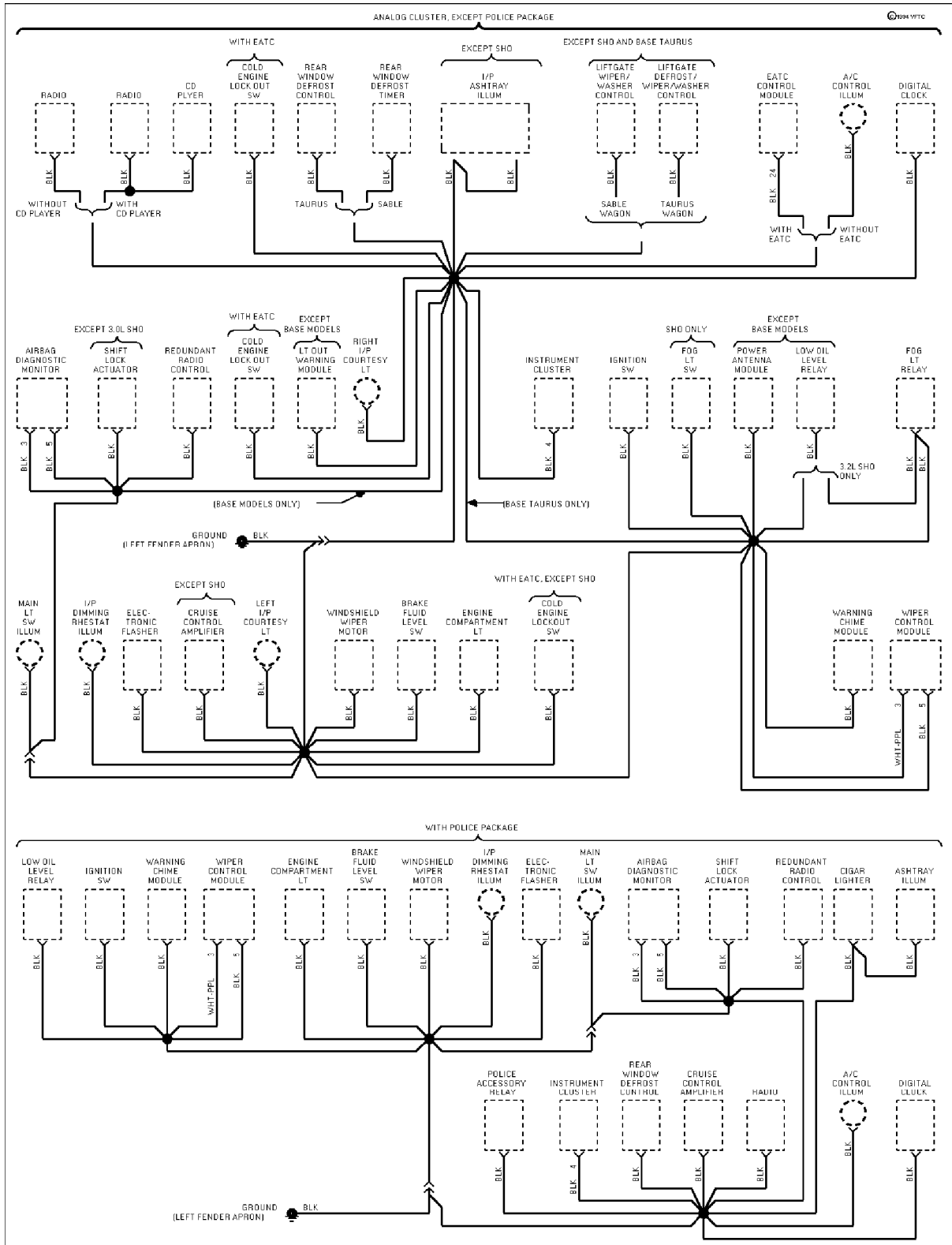
Selected Block (p. 6)

1994 Ford Taurus

For <http://www.mitchell.narod.ru/>

Copyright © 1997 Mitchell International

Friday, March 02, 2001 09:01PM



Ground Distribution Circuit (4 of 5)

SYSTEM WIRING DIAGRAMS

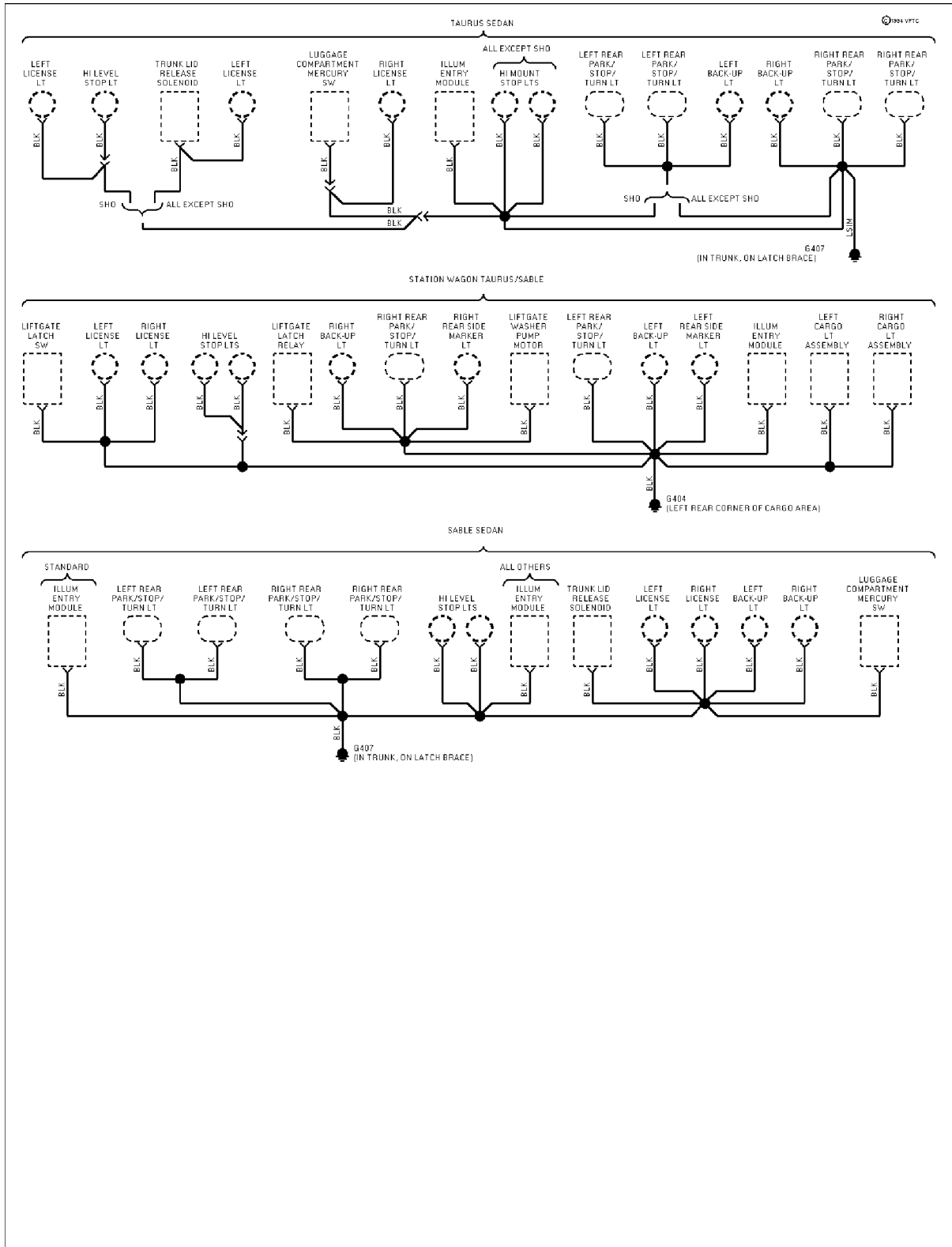
Selected Block (p. 7)

1994 Ford Taurus

For <http://www.mitchell.narod.ru/>

Copyright © 1997 Mitchell International

Friday, March 02, 2001 09:01PM



SYSTEM WIRING DIAGRAMS

Selected Block

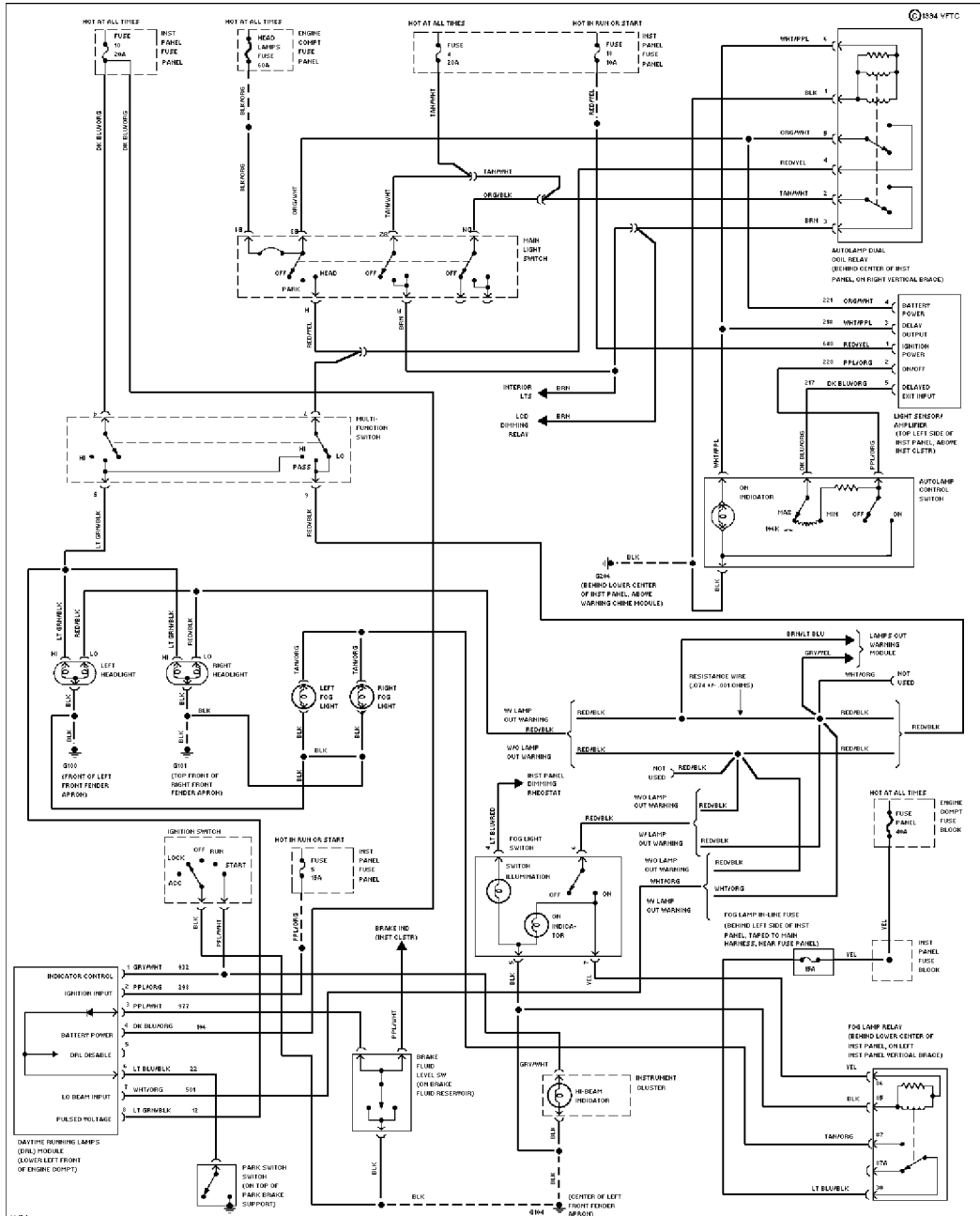
1994 Ford Taurus

For <http://www.mitchell.narod.ru/>

Copyright © 1997 Mitchell International

Friday, March 02, 2001 09:01PM

HEADLIGHTS



Autolamps Circuit, W/ DRL

SYSTEM WIRING DIAGRAMS

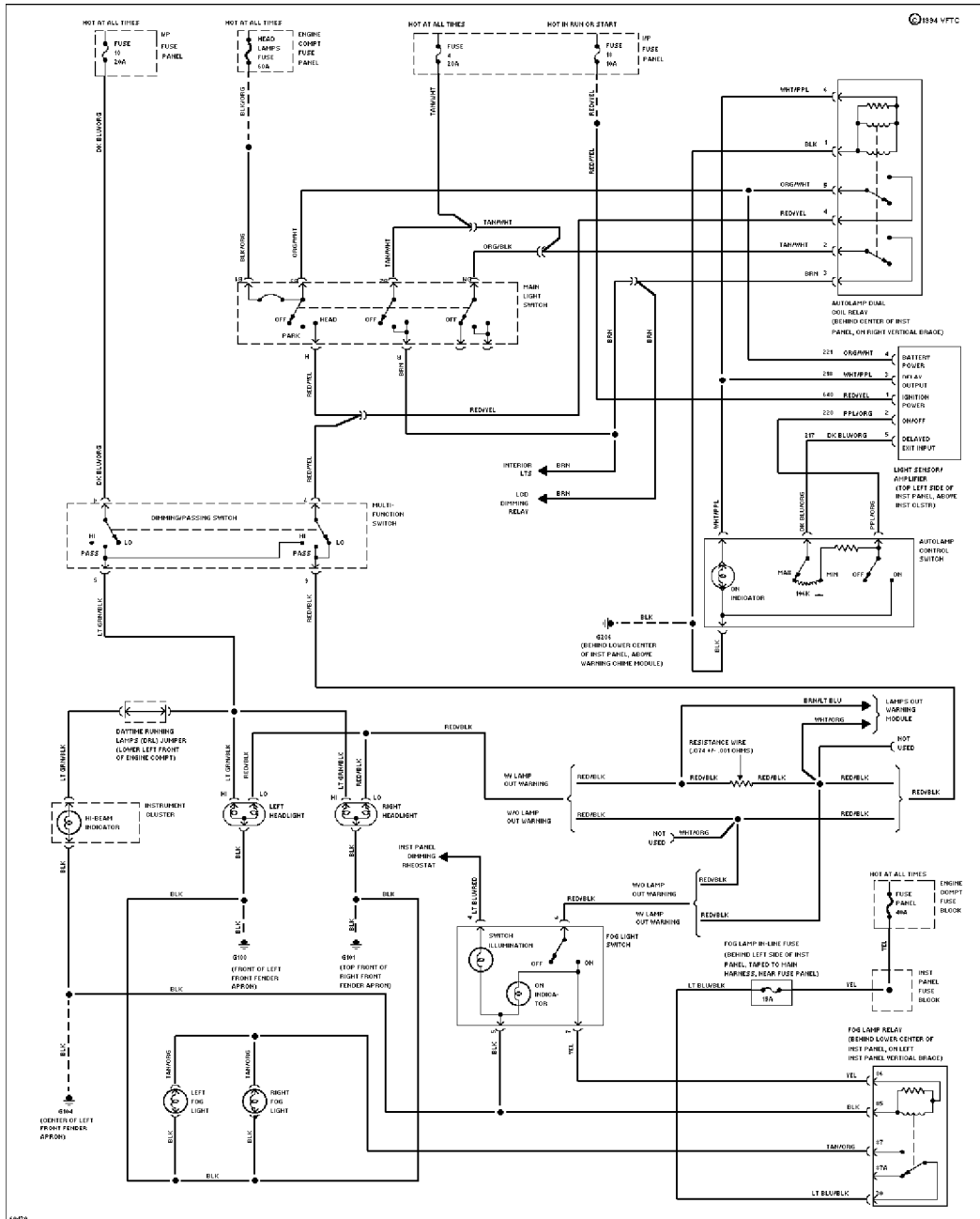
Selected Block (p. 2)

1994 Ford Taurus

For <http://www.mitchell.narod.ru/>

Copyright © 1997 Mitchell International

Friday, March 02, 2001 09:01PM



Autolamps Circuit, W/O DRL

SYSTEM WIRING DIAGRAMS

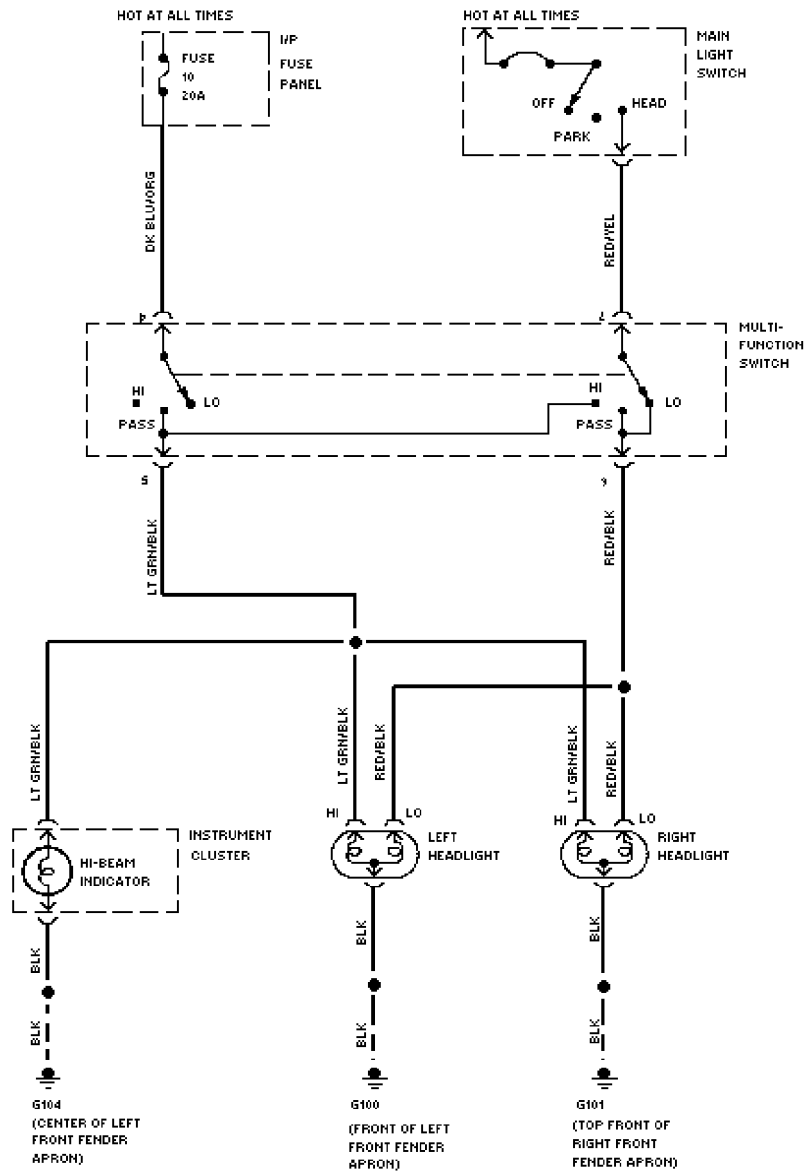
Selected Block (p. 4)

1994 Ford Taurus

For <http://www.mitchell.narod.ru/>

Copyright © 1997 Mitchell International

Friday, March 02, 2001 09:01PM



60424

Headlamps Circuit, W/O DRL

SYSTEM WIRING DIAGRAMS

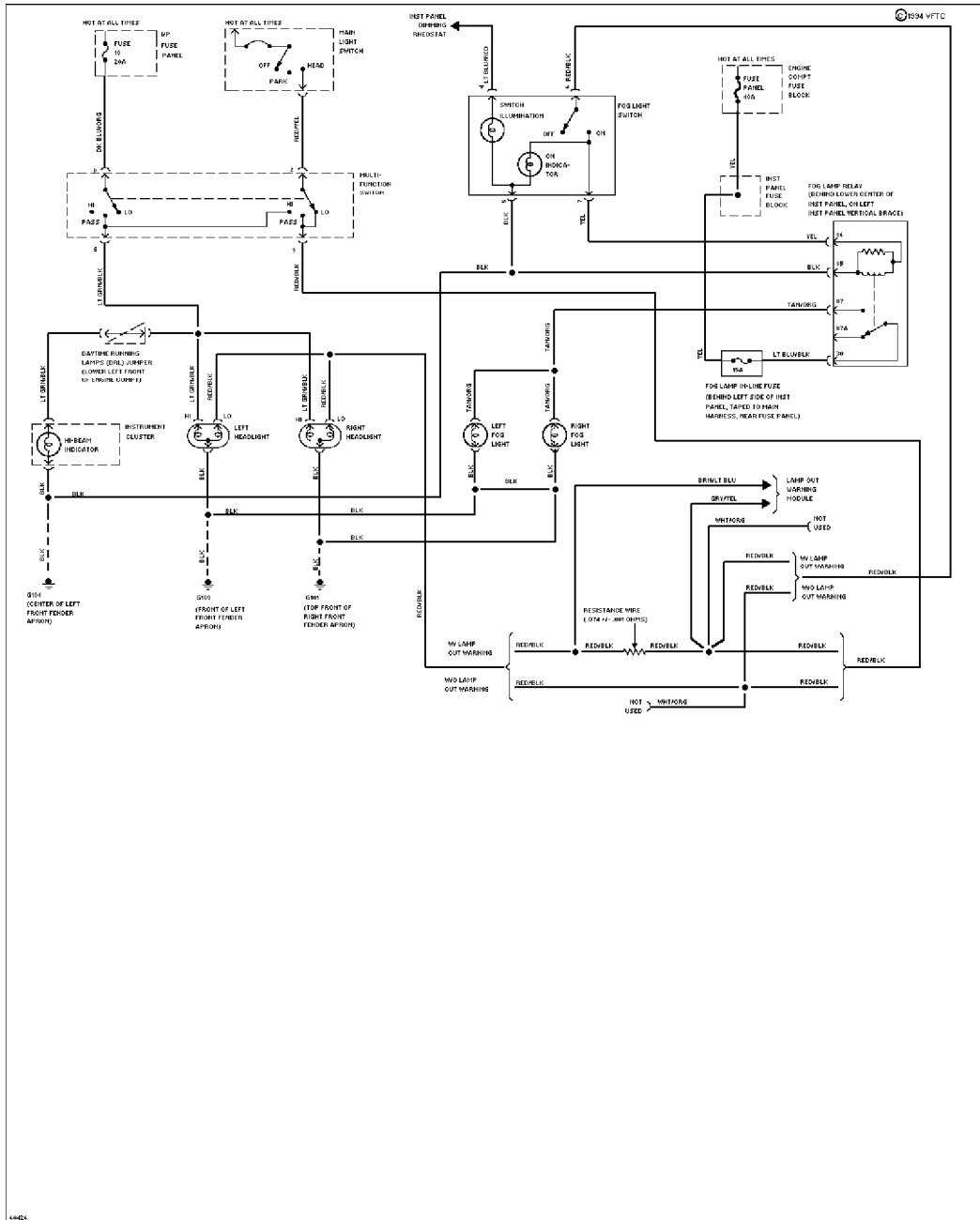
Selected Block (p. 6)

1994 Ford Taurus

For <http://www.mitchell.narod.ru/>

Copyright © 1997 Mitchell International

Friday, March 02, 2001 09:01PM



Headlamps/Fog Lamps Circuit, W/O DRL

HORN

SYSTEM WIRING DIAGRAMS

Selected Block

1994 Ford Taurus

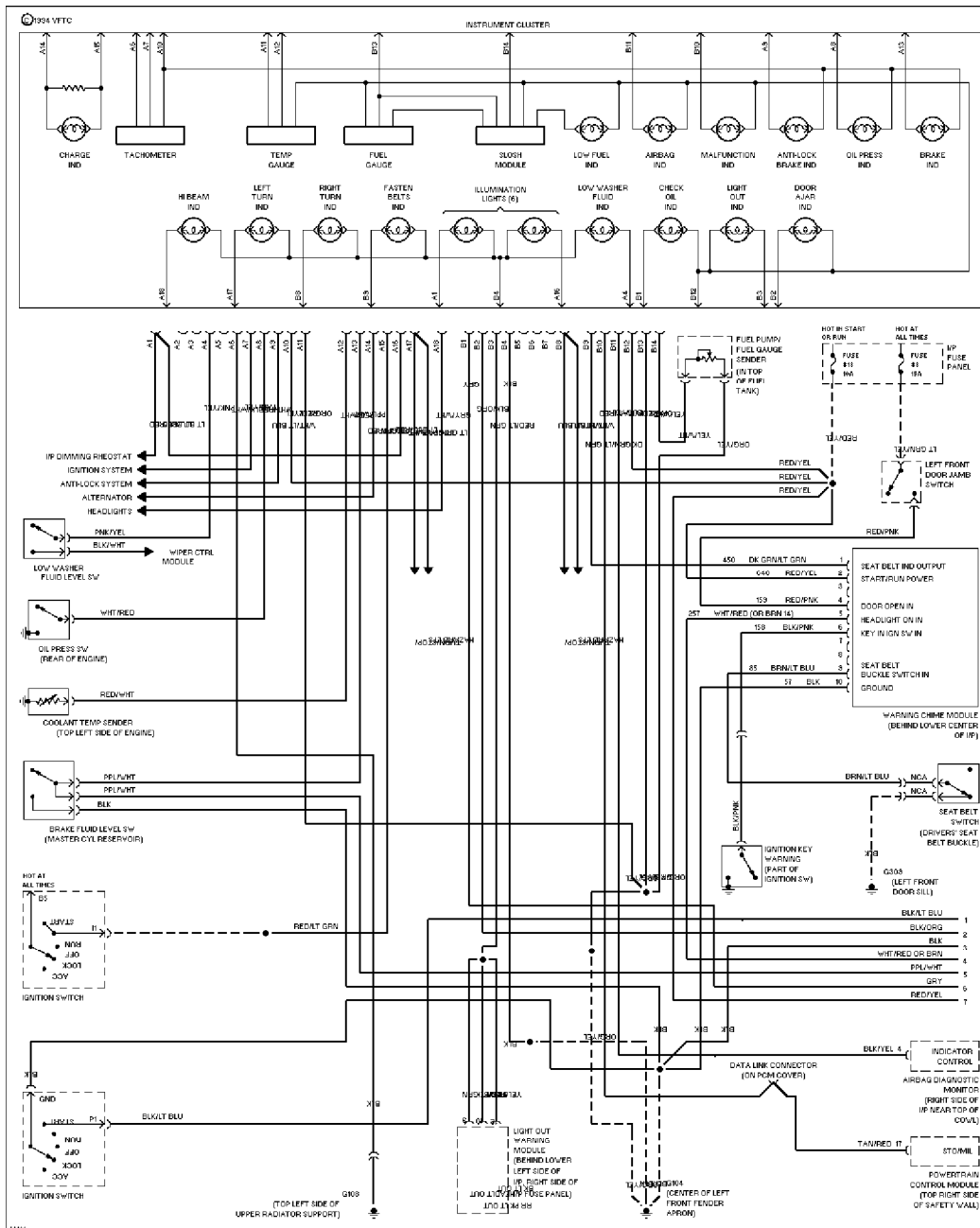
For <http://www.mitchell.narod.ru/>

Copyright © 1997 Mitchell International

Friday, March 02, 2001 09:02PM

INSTRUMENT CLUSTER

3.0L



3.0L Flex Fuel, Analog Cluster Circuit (1 of 2)

SYSTEM WIRING DIAGRAMS

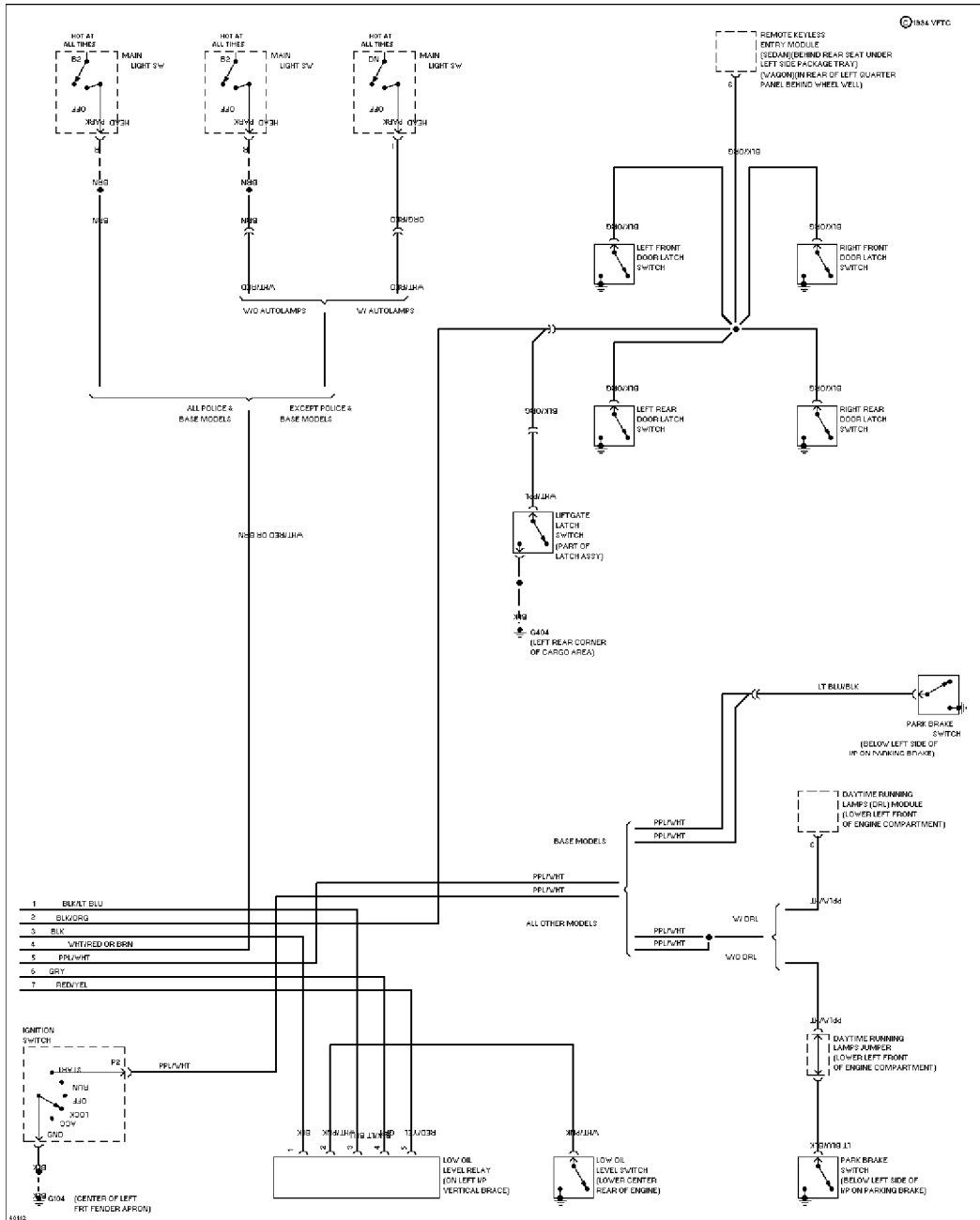
Selected Block (p. 2)

1994 Ford Taurus

For <http://www.mitchell.narod.ru/>

Copyright © 1997 Mitchell International

Friday, March 02, 2001 09:02PM



3.0L Flex Fuel, Analog Cluster Circuit (2 of 2)

SYSTEM WIRING DIAGRAMS

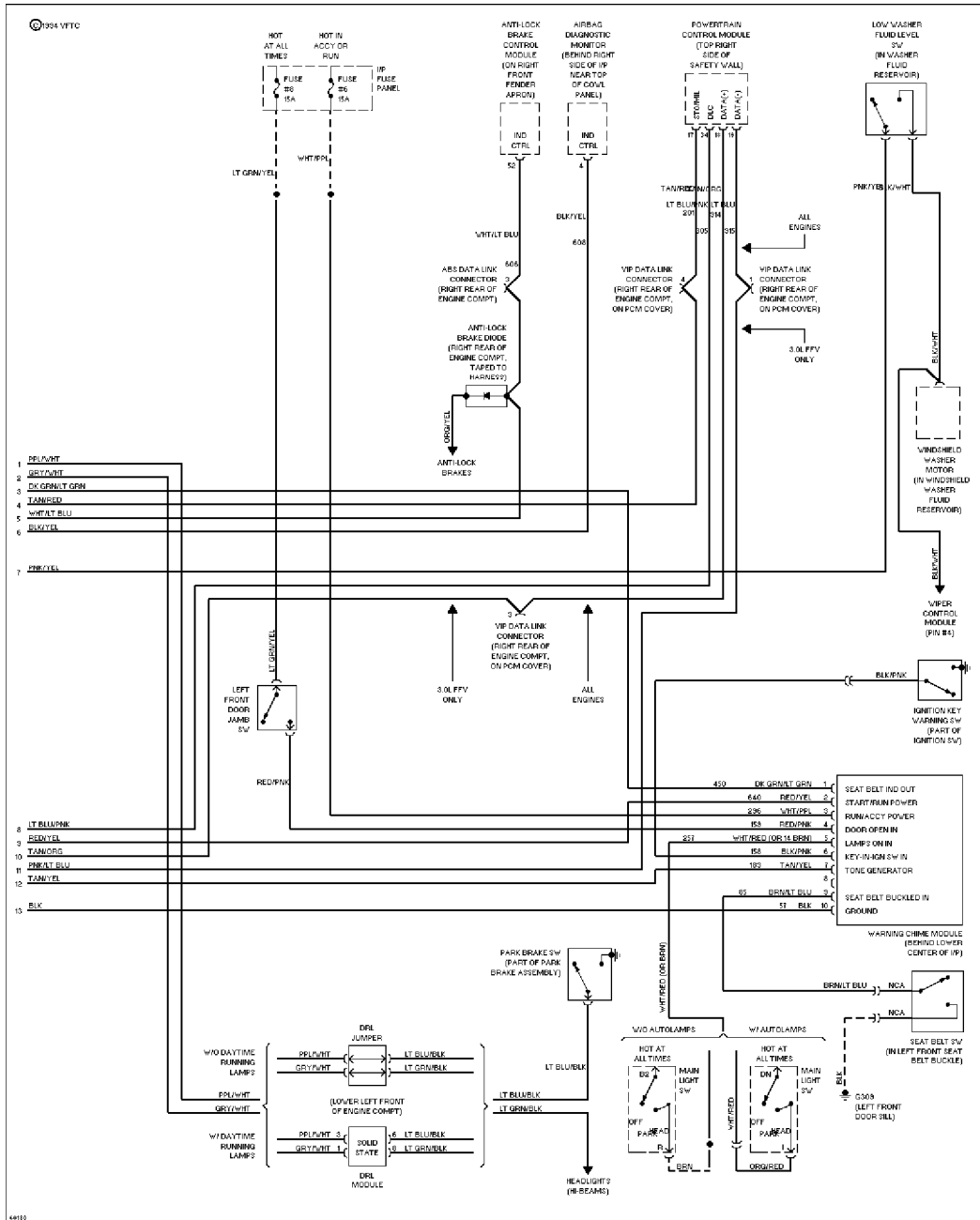
Selected Block (p. 4)

1994 Ford Taurus

For <http://www.mitchell.narod.ru/>

Copyright © 1997 Mitchell International

Friday, March 02, 2001 09:02PM



3.0L Flex Fuel, Electronic Cluster Circuit (2 of 2)

SYSTEM WIRING DIAGRAMS

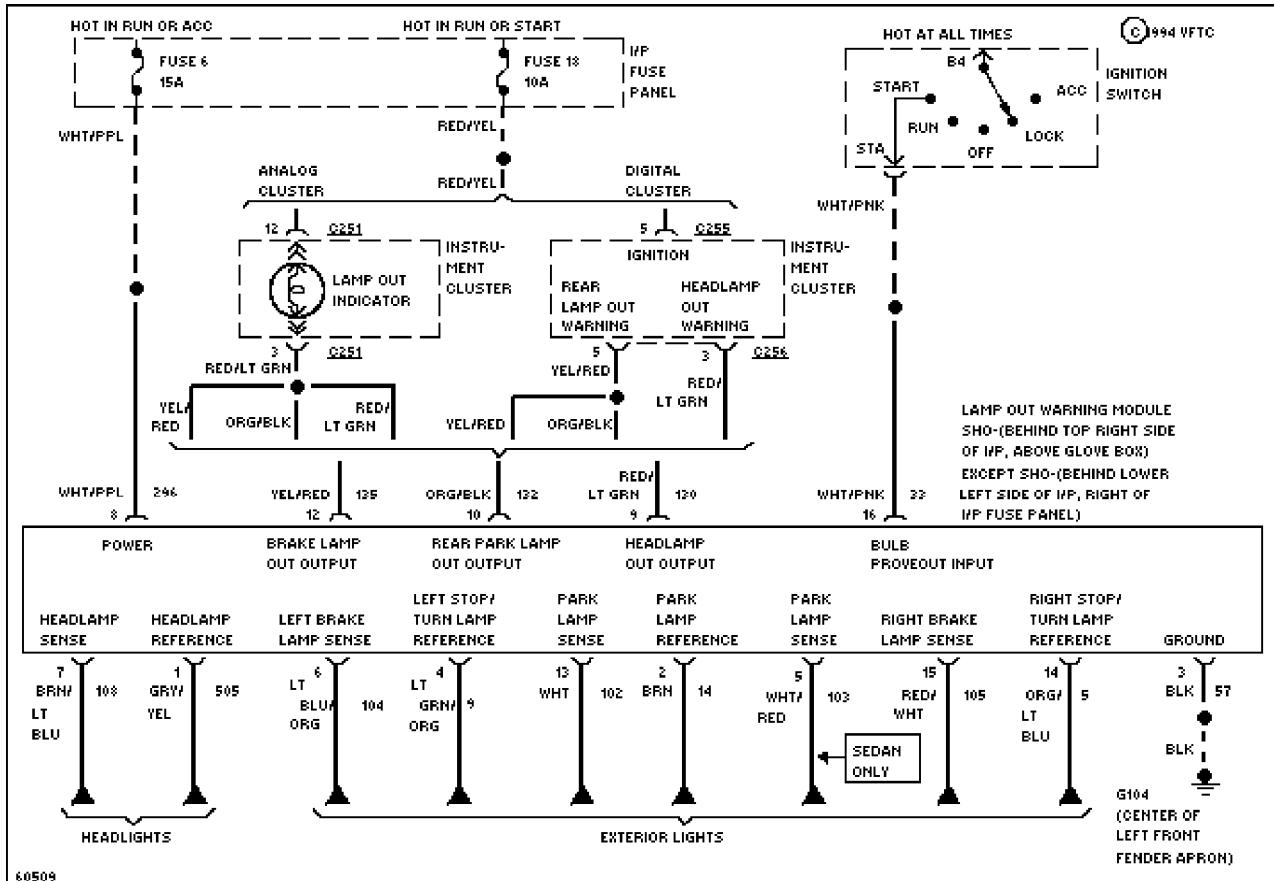
Selected Block (p. 5)

1994 Ford Taurus

For <http://www.mitchell.narod.ru/>

Copyright © 1997 Mitchell International

Friday, March 02, 2001 09:02PM



3.0L Flex Fuel, Lamp Monitor Circuit

SYSTEM WIRING DIAGRAMS

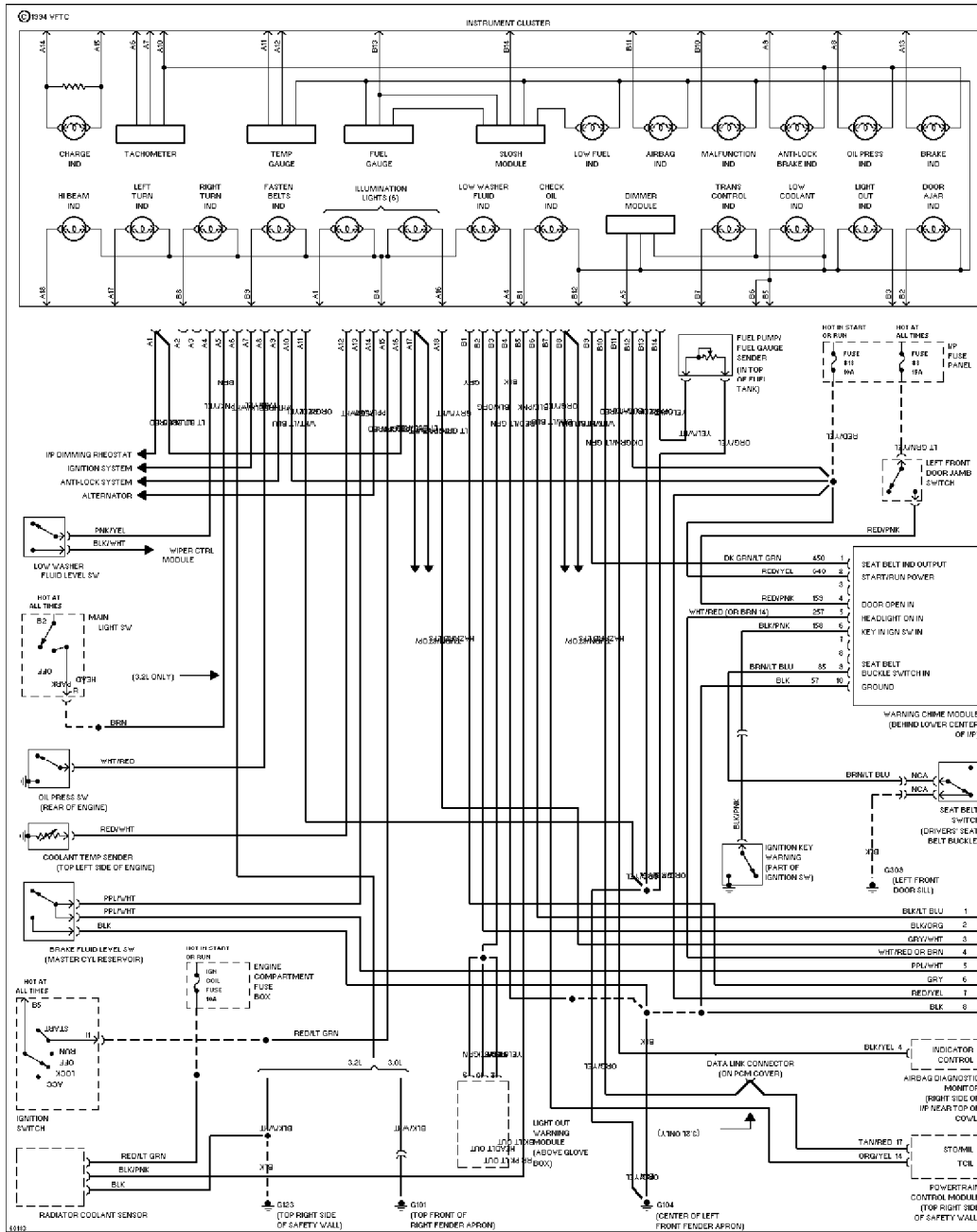
Selected Block (p. 6)

1994 Ford Taurus

For <http://www.mitchell.narod.ru/>

Copyright © 1997 Mitchell International

Friday, March 02, 2001 09:02PM



3.0L SHO, Instrument Cluster Circuit (1 of 2)

SYSTEM WIRING DIAGRAMS

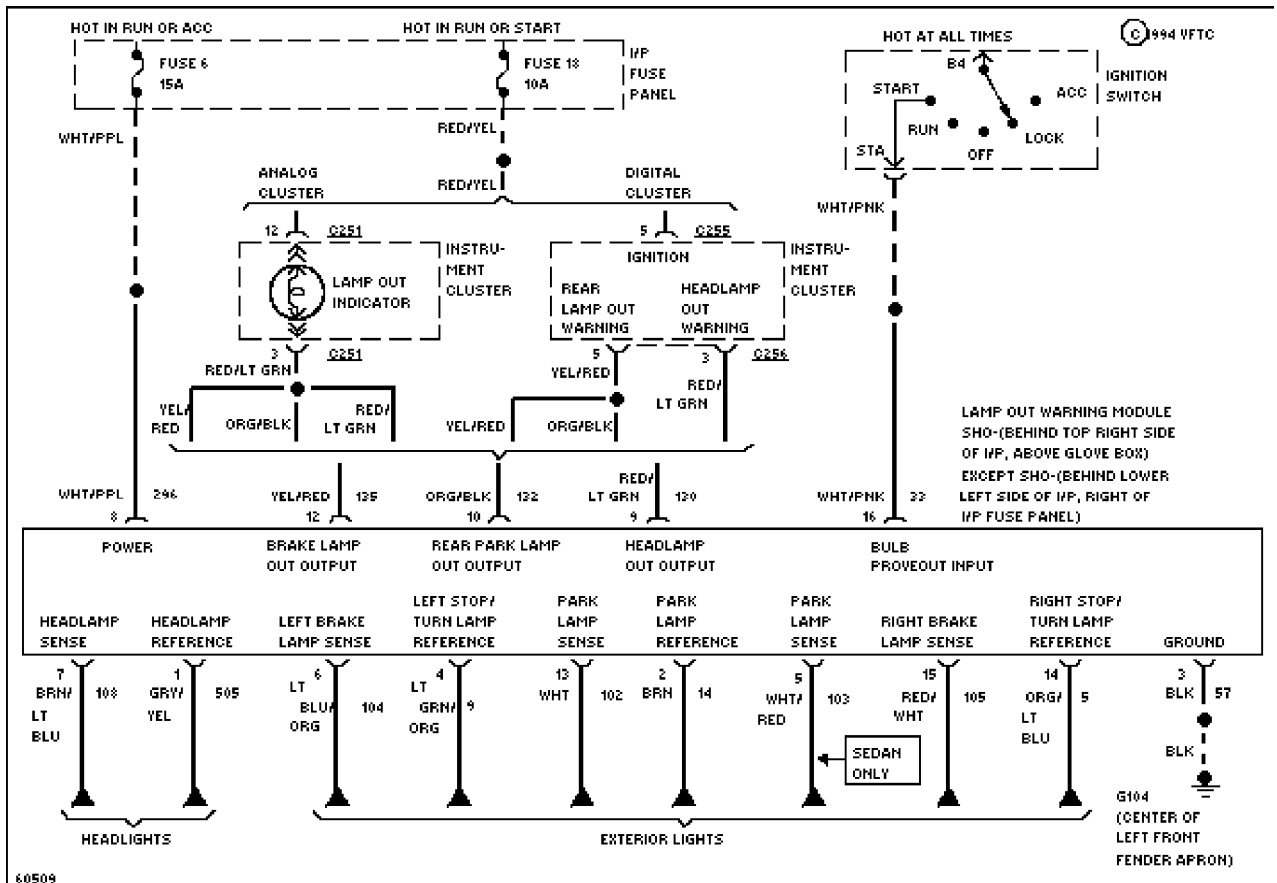
Selected Block (p. 2)

1994 Ford Taurus

For <http://www.mitchell.narod.ru/>

Copyright © 1997 Mitchell International

Friday, March 02, 2001 09:02PM



3.0L SHO, Lamp Monitor Circuit

SYSTEM WIRING DIAGRAMS

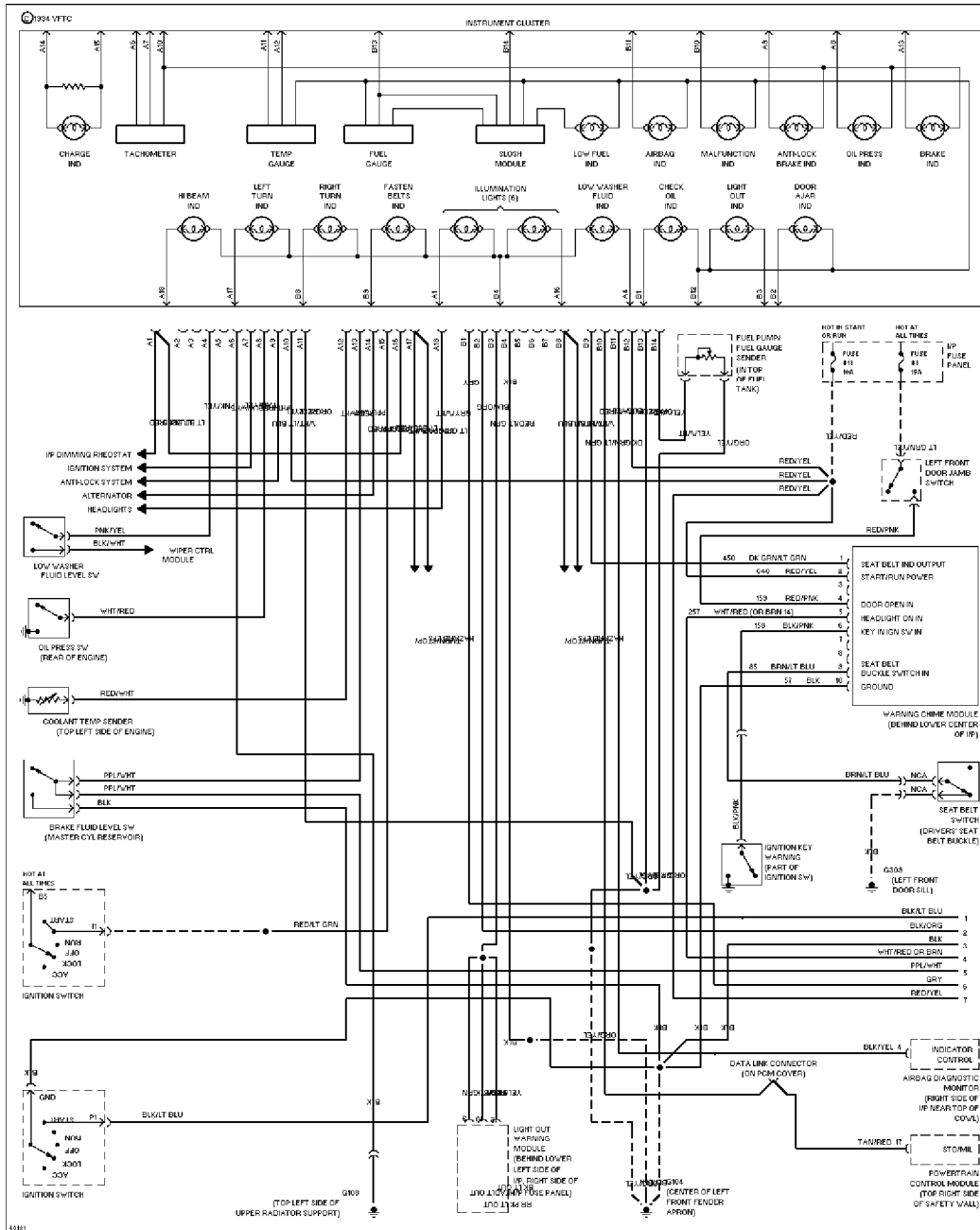
Selected Block (p. 3)

1994 Ford Taurus

For <http://www.mitchell.narod.ru/>

Copyright © 1997 Mitchell International

Friday, March 02, 2001 09:02PM



3.0L, Analog Cluster Circuit (1 of 2)

SYSTEM WIRING DIAGRAMS

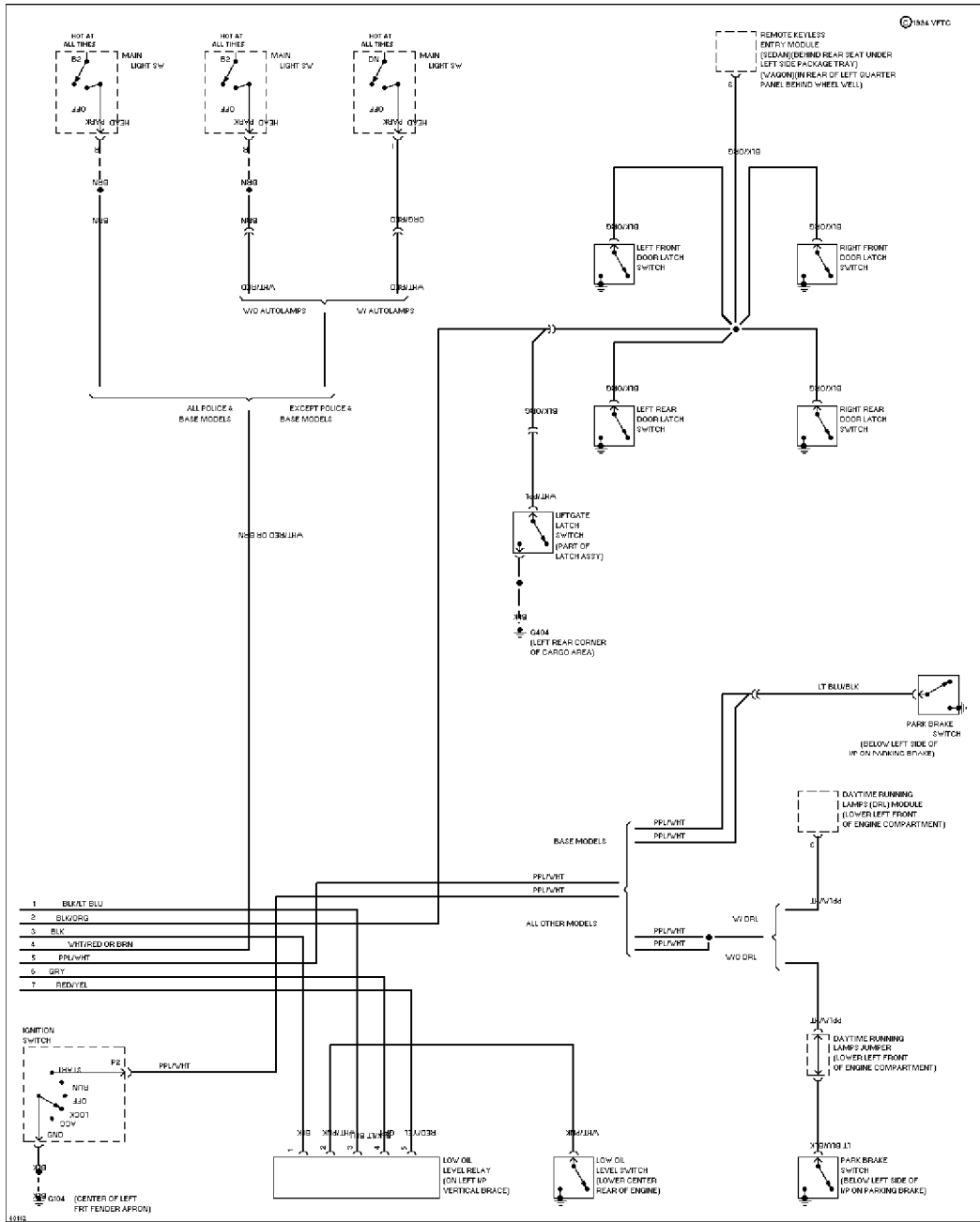
Selected Block (p. 4)

1994 Ford Taurus

For <http://www.mitchell.narod.ru/>

Copyright © 1997 Mitchell International

Friday, March 02, 2001 09:02PM



3.0L, Analog Cluster Circuit (2 of 2)

SYSTEM WIRING DIAGRAMS

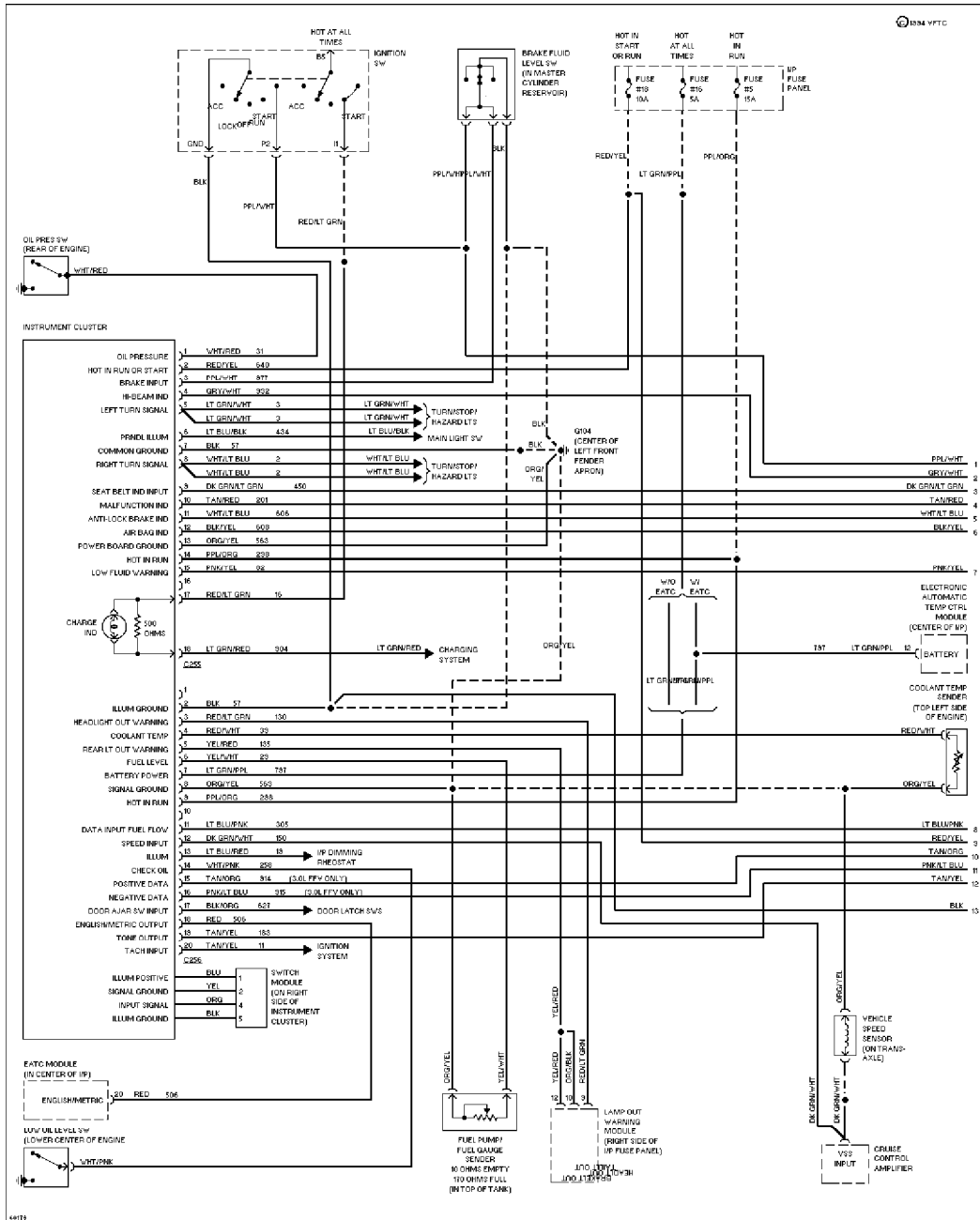
Selected Block (p. 5)

1994 Ford Taurus

For <http://www.mitchell.narod.ru/>

Copyright © 1997 Mitchell International

Friday, March 02, 2001 09:02PM



3.0L, Electronic Cluster Circuit (1 of 2)

SYSTEM WIRING DIAGRAMS

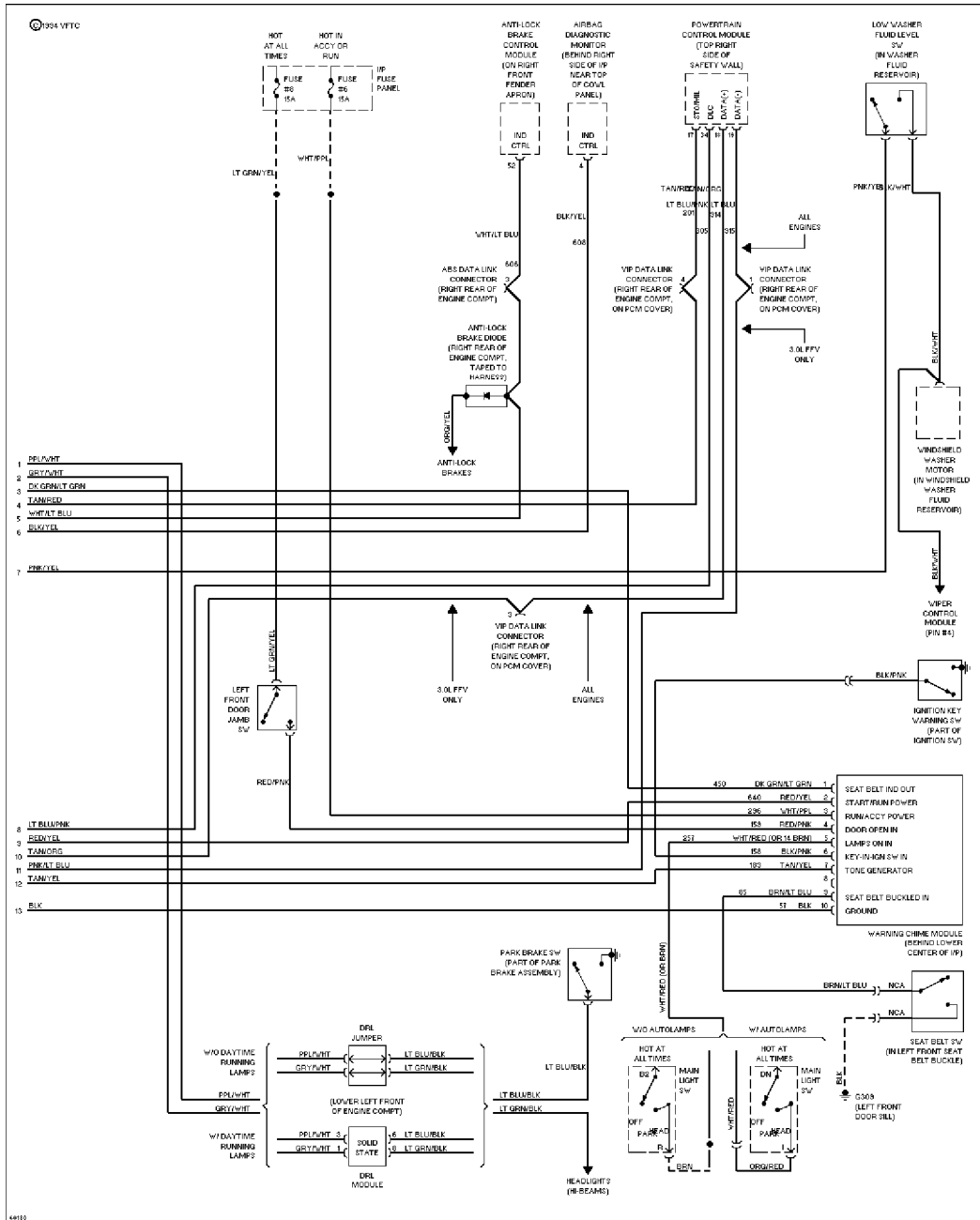
Selected Block (p. 6)

1994 Ford Taurus

For <http://www.mitchell.narod.ru/>

Copyright © 1997 Mitchell International

Friday, March 02, 2001 09:02PM



3.0L, Electronic Cluster Circuit (2 of 2)

SYSTEM WIRING DIAGRAMS

Selected Block

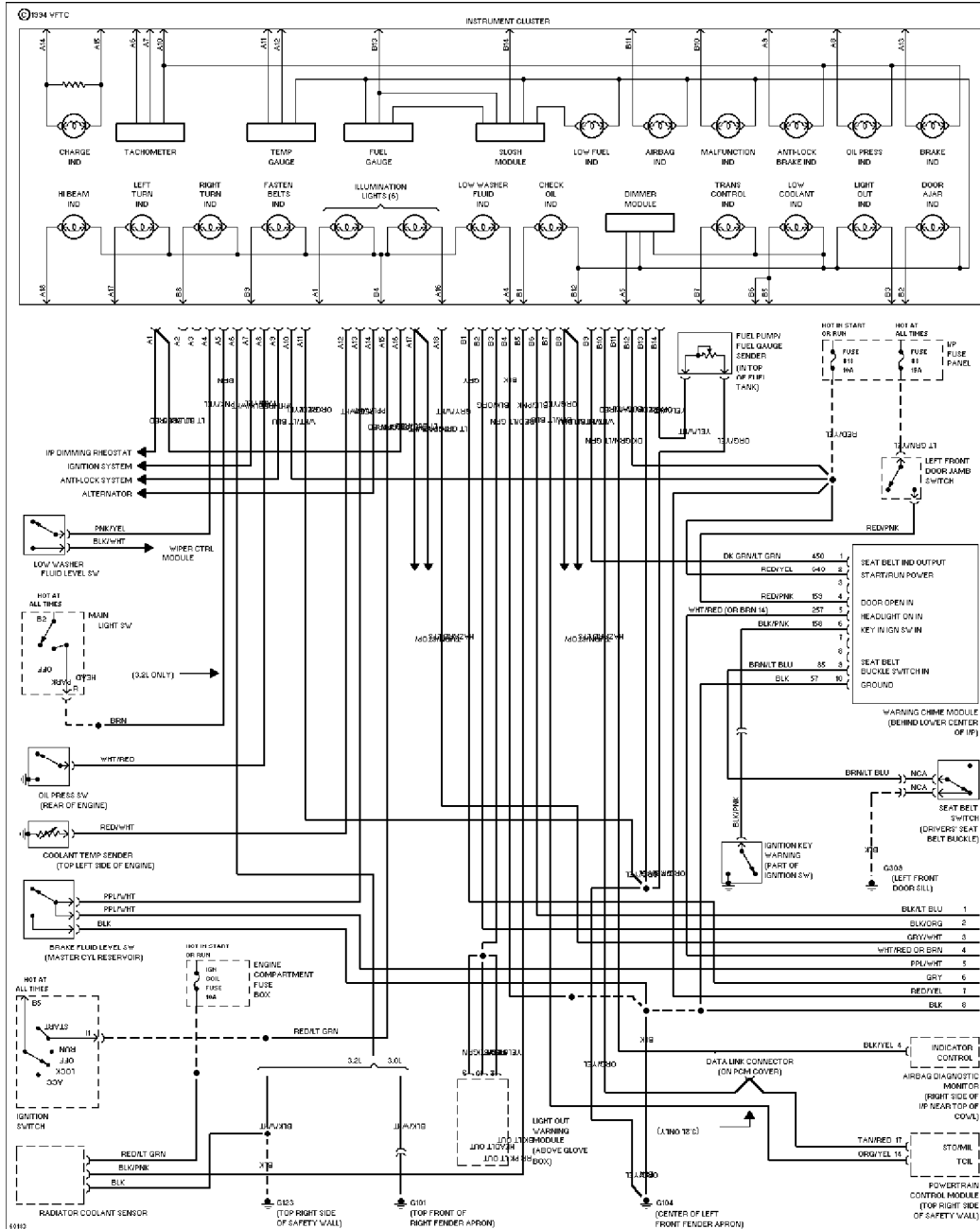
1994 Ford Taurus

For <http://www.mitchell.narod.ru/>

Copyright © 1997 Mitchell International

Friday, March 02, 2001 09:02PM

3.2L



3.2L SHO, Instrument Cluster Circuit (1 of 2)

SYSTEM WIRING DIAGRAMS

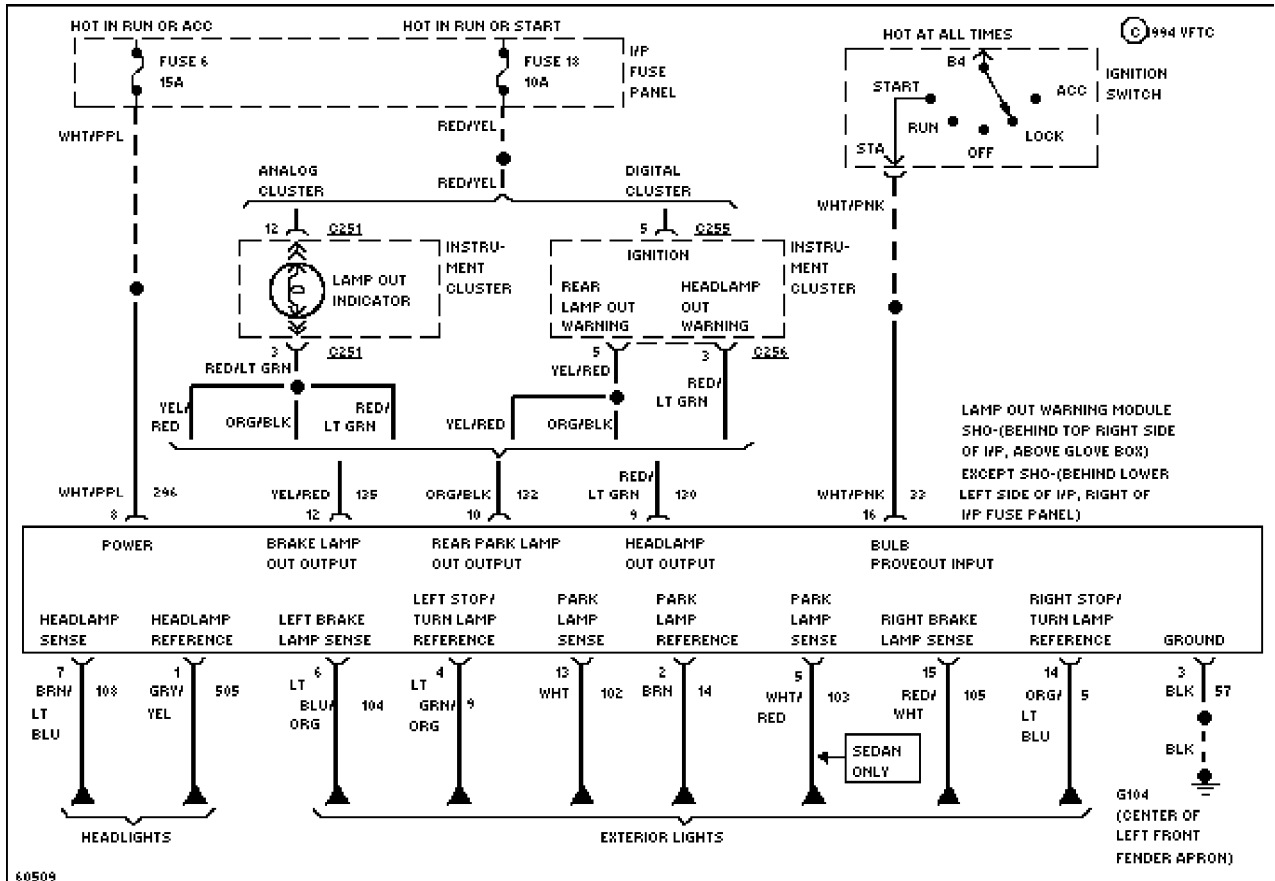
Selected Block (p. 3)

1994 Ford Taurus

For <http://www.mitchell.narod.ru/>

Copyright © 1997 Mitchell International

Friday, March 02, 2001 09:02PM



3.2L SHO, Lamp Monitor Circuit

SYSTEM WIRING DIAGRAMS

Selected Block

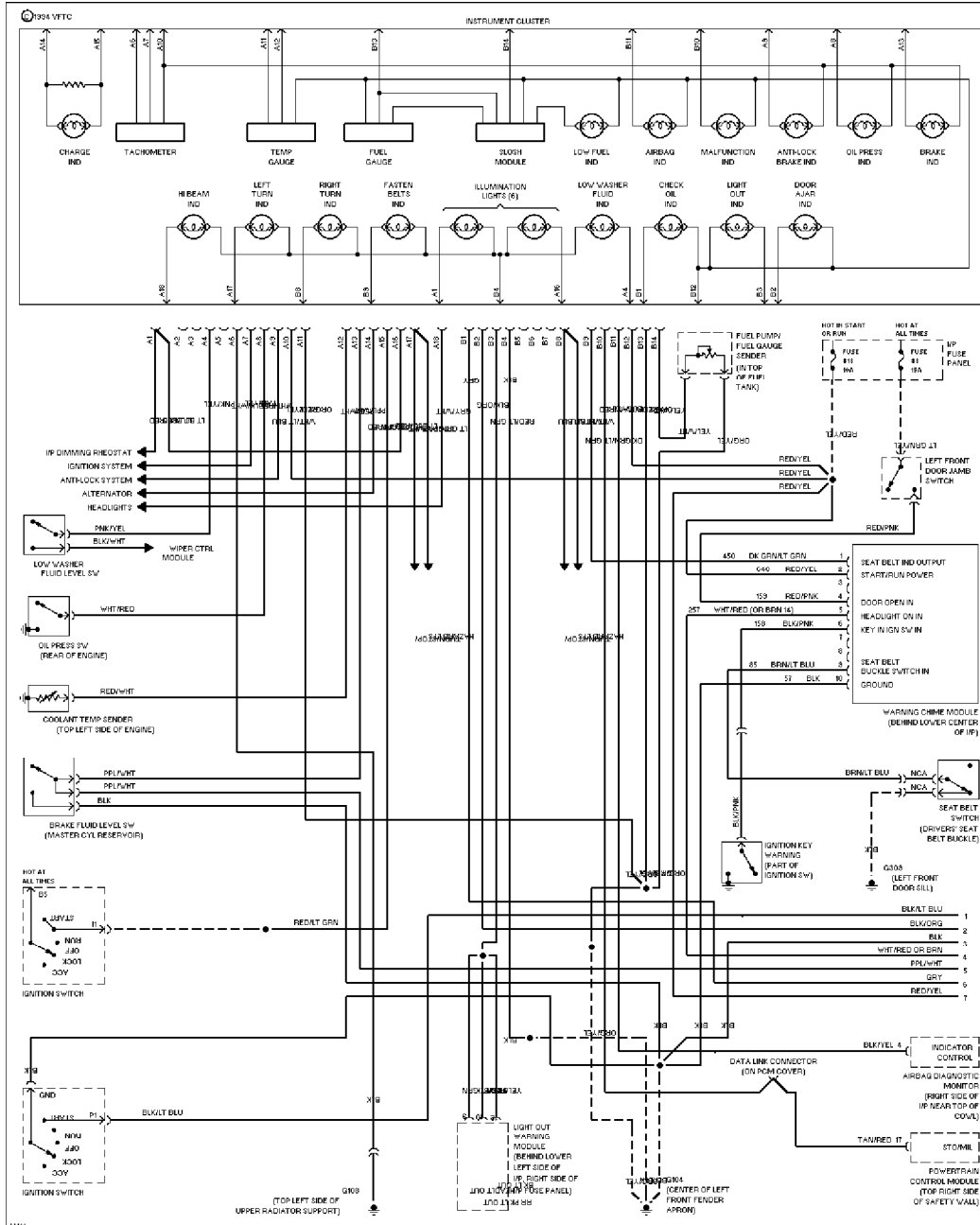
1994 Ford Taurus

For <http://www.mitchell.narod.ru/>

Copyright © 1997 Mitchell International

Friday, March 02, 2001 09:02PM

3.8L



3.8L, Analog Cluster Circuit (1 of 2)

SYSTEM WIRING DIAGRAMS

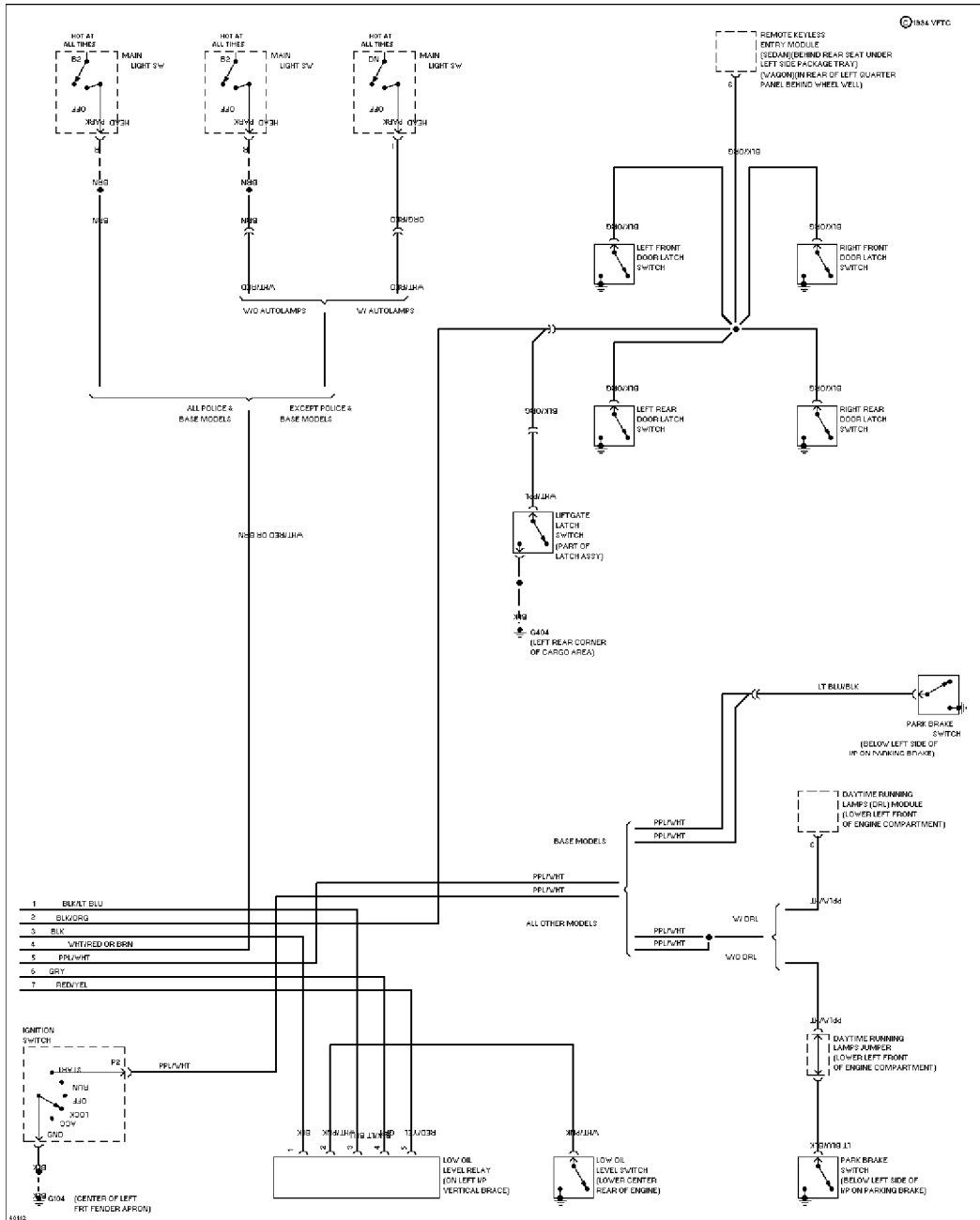
Selected Block (p. 2)

1994 Ford Taurus

For <http://www.mitchell.narod.ru/>

Copyright © 1997 Mitchell International

Friday, March 02, 2001 09:02PM



3.8L, Analog Cluster Circuit (2 of 2)

SYSTEM WIRING DIAGRAMS

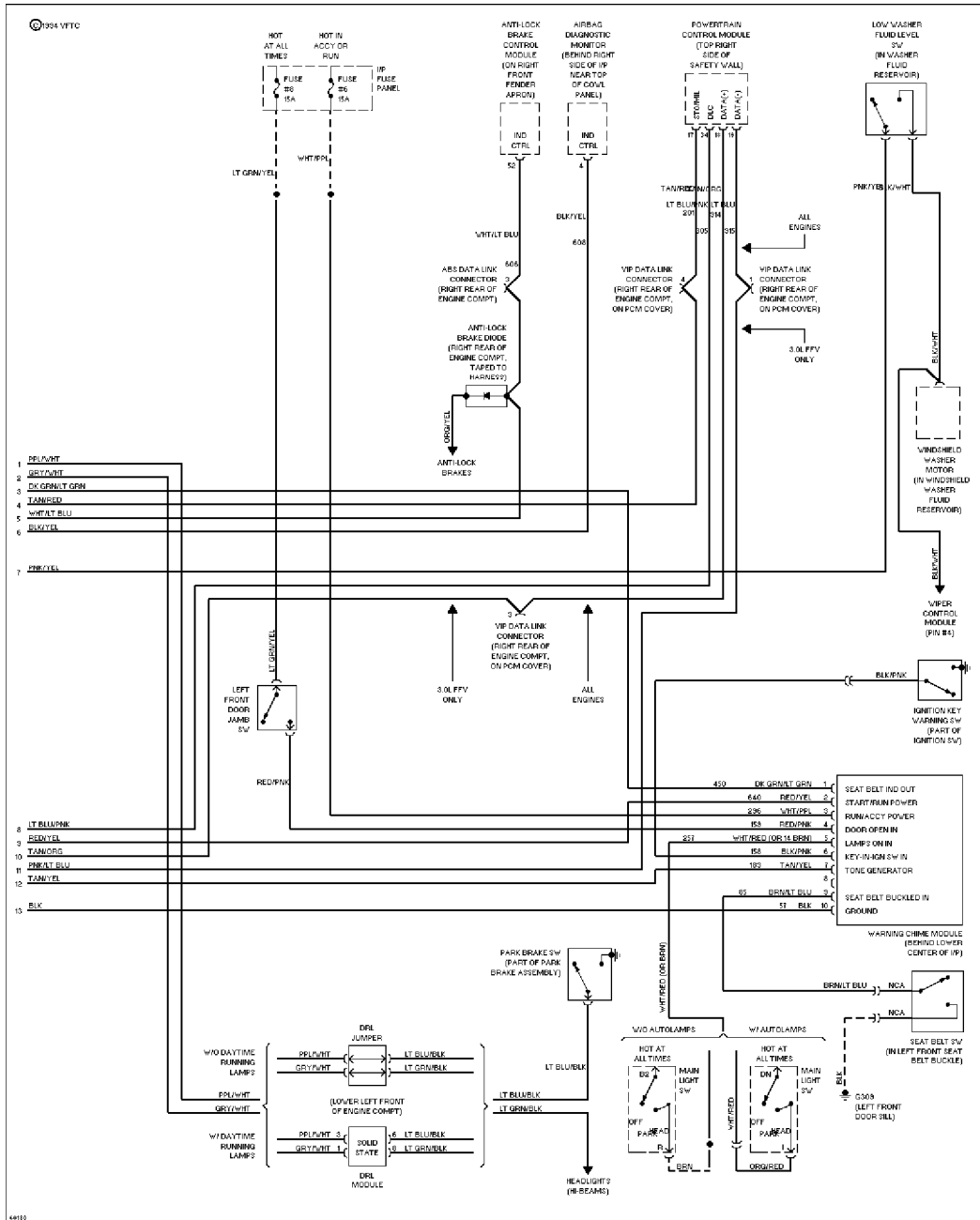
Selected Block (p. 4)

1994 Ford Taurus

For <http://www.mitchell.narod.ru/>

Copyright © 1997 Mitchell International

Friday, March 02, 2001 09:02PM



3.8L, Electronic Cluster Circuit (2 of 2)

SYSTEM WIRING DIAGRAMS

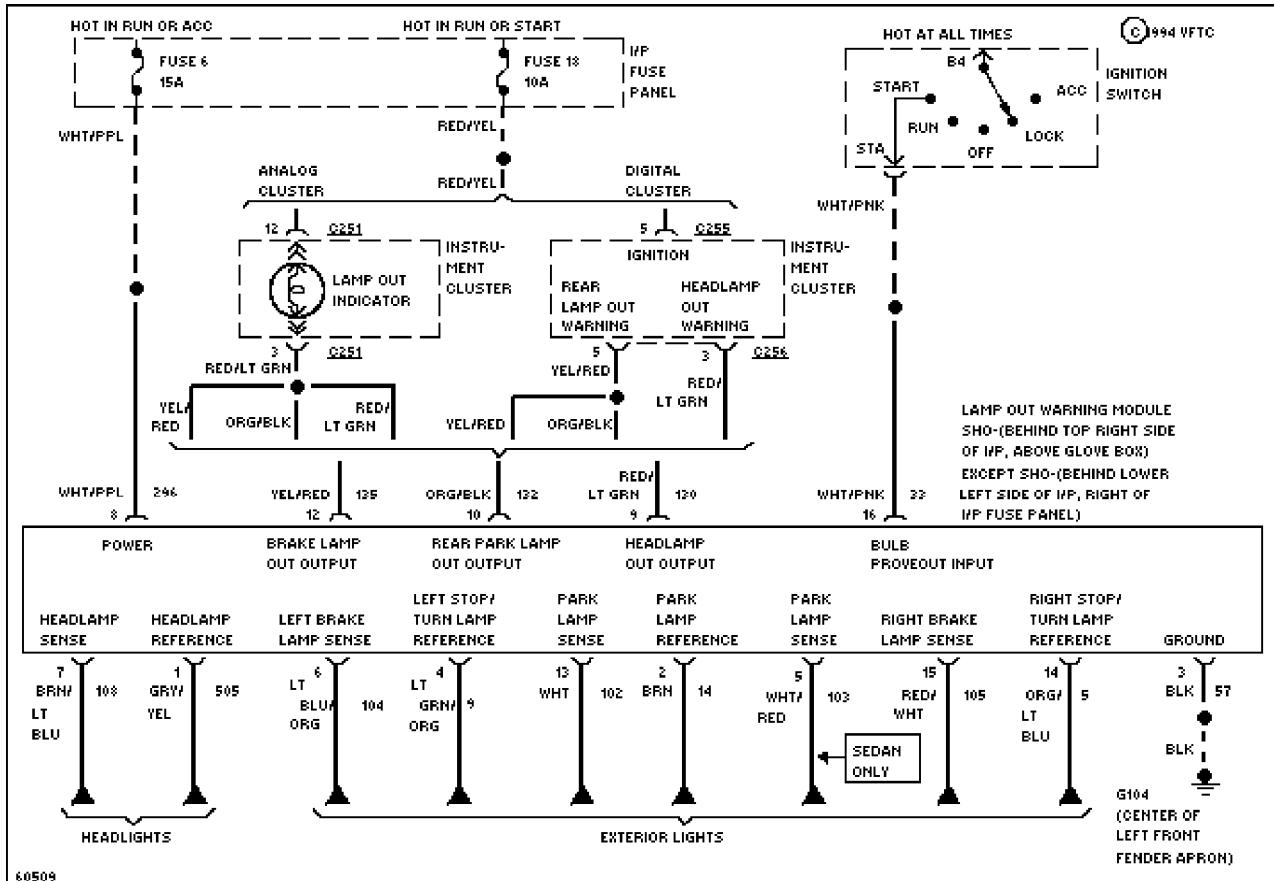
Selected Block (p. 5)

1994 Ford Taurus

For <http://www.mitchell.narod.ru/>

Copyright © 1997 Mitchell International

Friday, March 02, 2001 09:02PM



3.8L, Lamp Monitor Circuit

SYSTEM WIRING DIAGRAMS

Selected Block

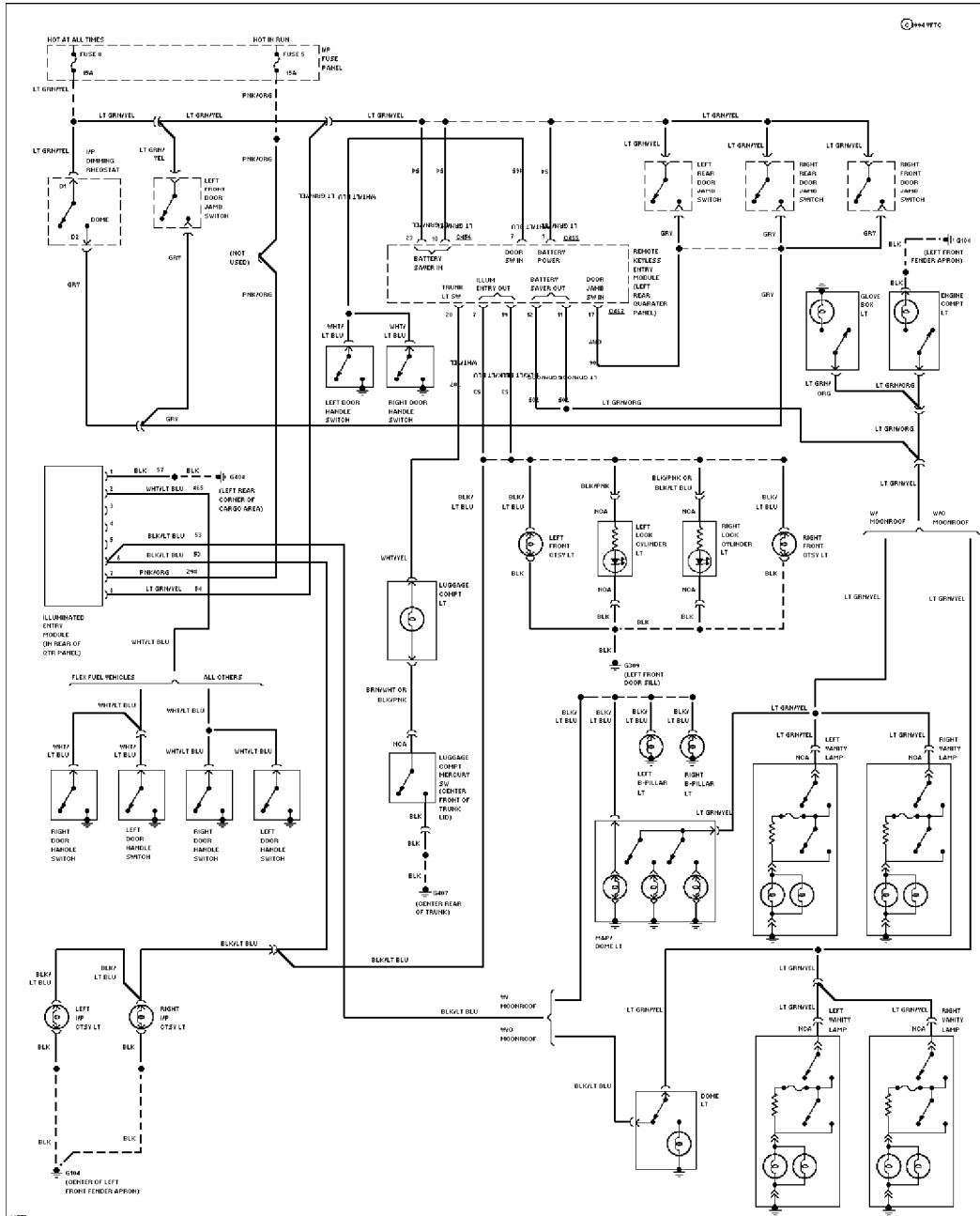
1994 Ford Taurus

For <http://www.mitchell.narod.ru/>

Copyright © 1997 Mitchell International

Friday, March 02, 2001 09:03PM

INTERIOR LIGHTS



Courtesy Lamps Circuit, Sedan W/ Remote/Keyless Entry

SYSTEM WIRING DIAGRAMS

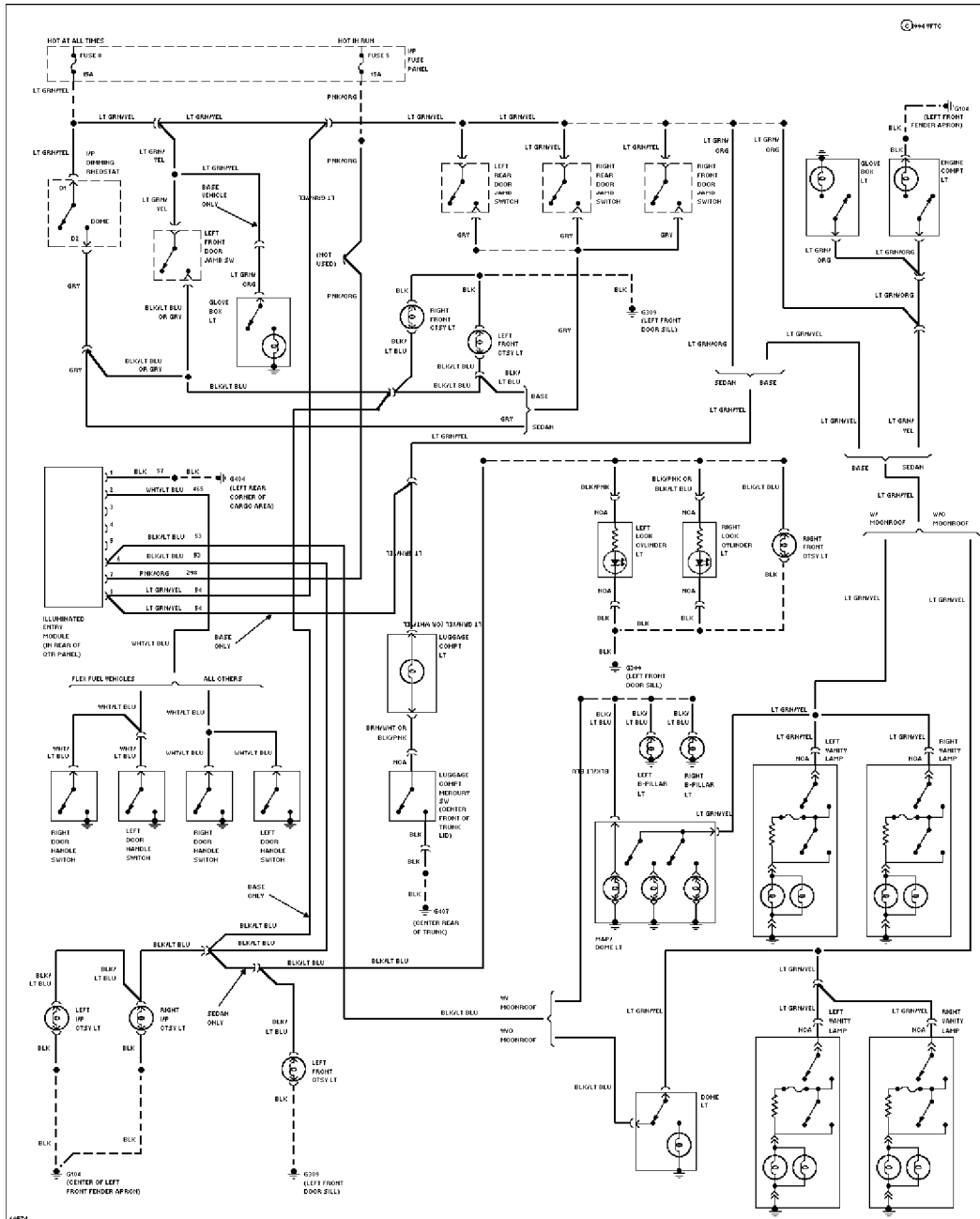
Selected Block (p. 2)

1994 Ford Taurus

For <http://www.mitchell.narod.ru/>

Copyright © 1997 Mitchell International

Friday, March 02, 2001 09:03PM



Courtesy Lamps Circuit, Sedan W/O Remote/Keyless Entry

SYSTEM WIRING DIAGRAMS

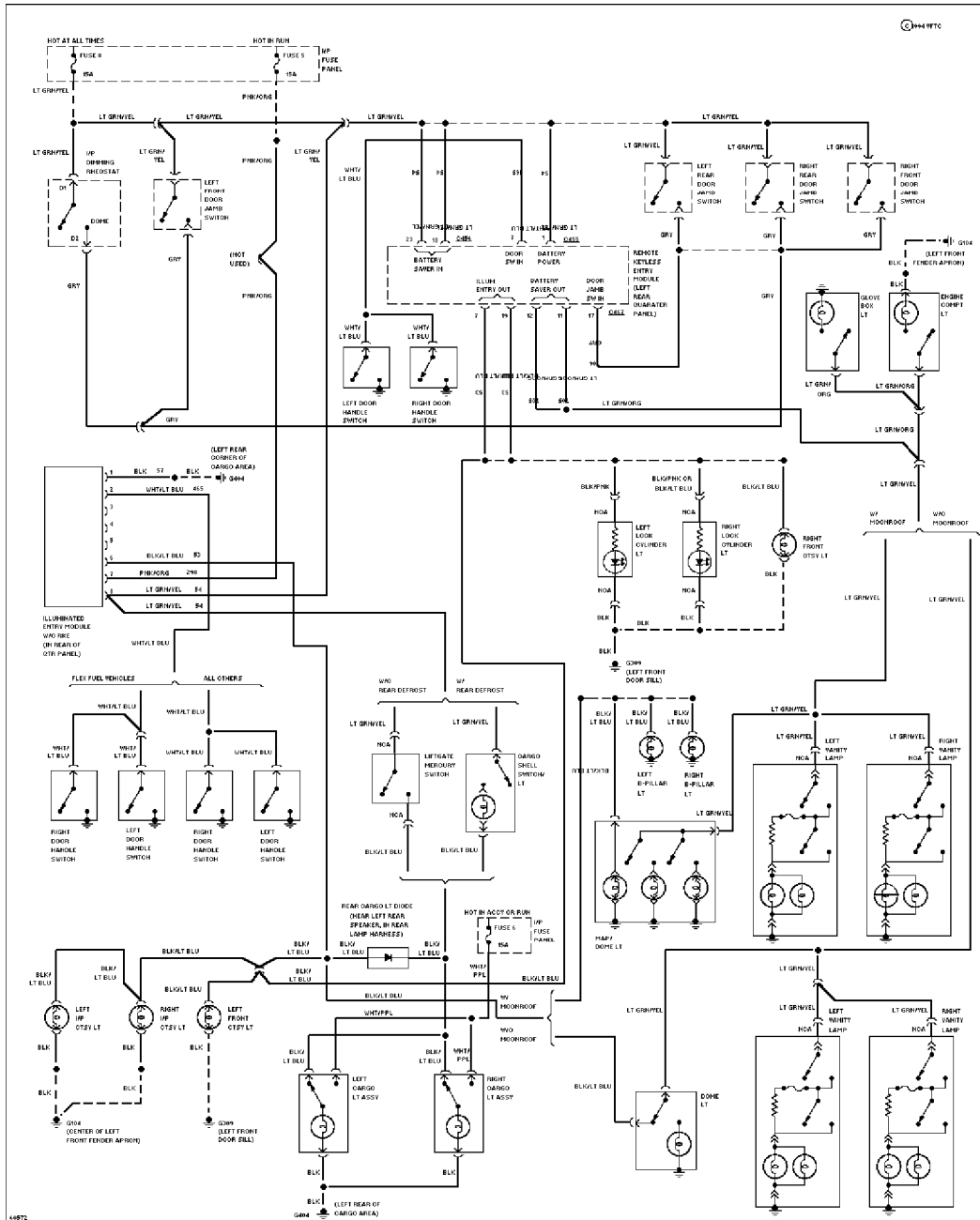
Selected Block (p. 3)

1994 Ford Taurus

For <http://www.mitchell.narod.ru/>

Copyright © 1997 Mitchell International

Friday, March 02, 2001 09:03PM



Courtesy Lamps Circuit, Wagon

SYSTEM WIRING DIAGRAMS

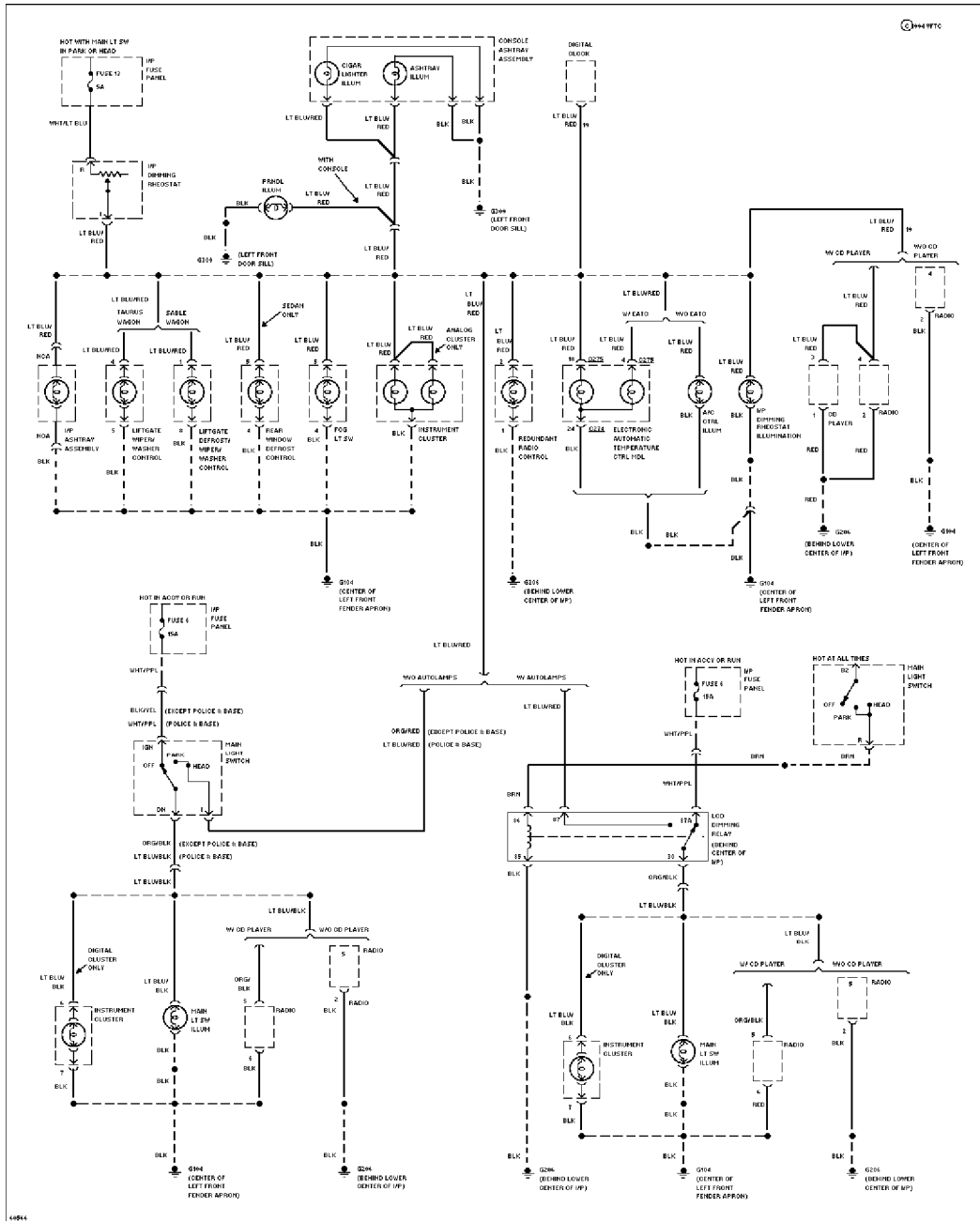
Selected Block (p. 4)

1994 Ford Taurus

For <http://www.mitchell.narod.ru/>

Copyright © 1997 Mitchell International

Friday, March 02, 2001 09:03PM



Instrument Illumination Circuit

POWER ANTENNA

SYSTEM WIRING DIAGRAMS

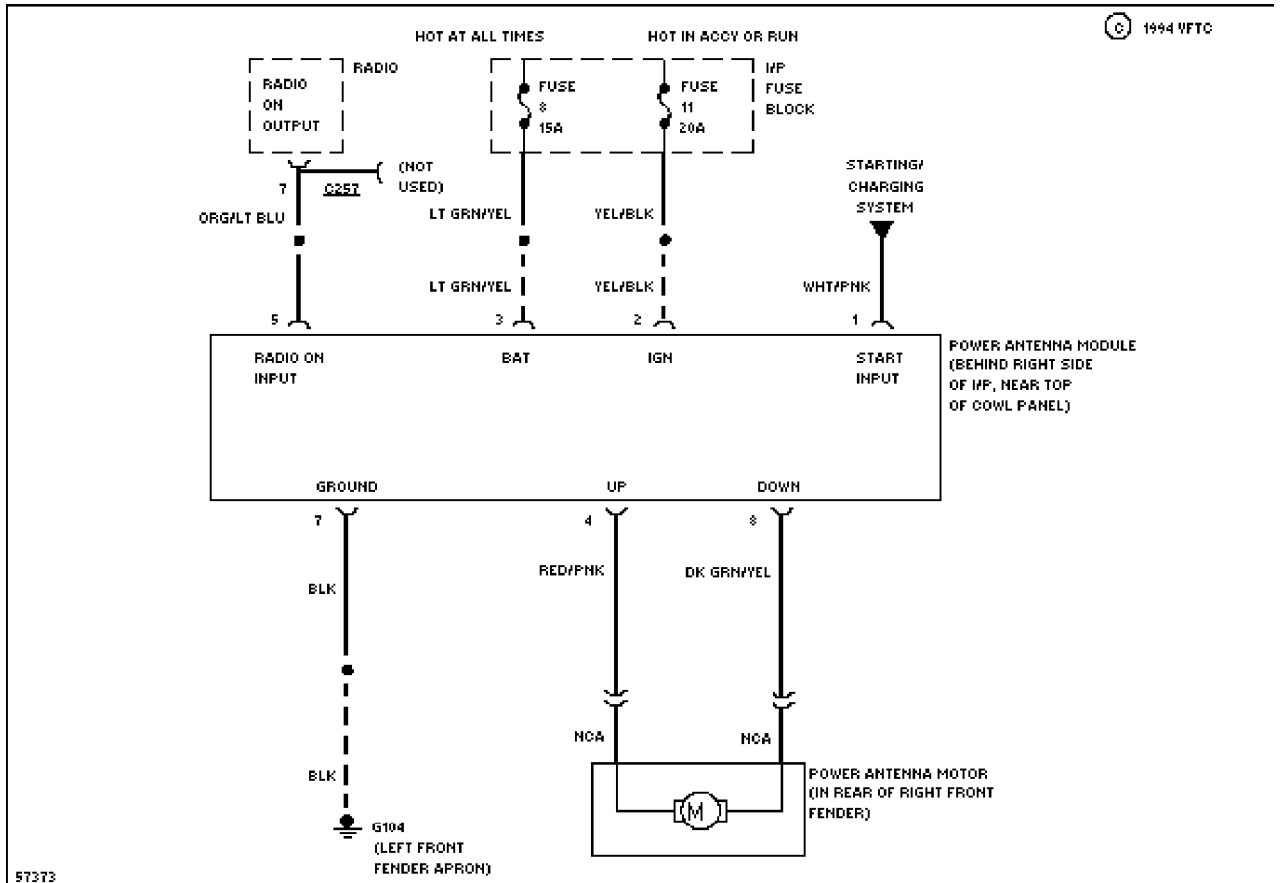
Selected Block (p. 5)

1994 Ford Taurus

For <http://www.mitchell.narod.ru/>

Copyright © 1997 Mitchell International

Friday, March 02, 2001 09:03PM



Power Antenna Circuit

SYSTEM WIRING DIAGRAMS

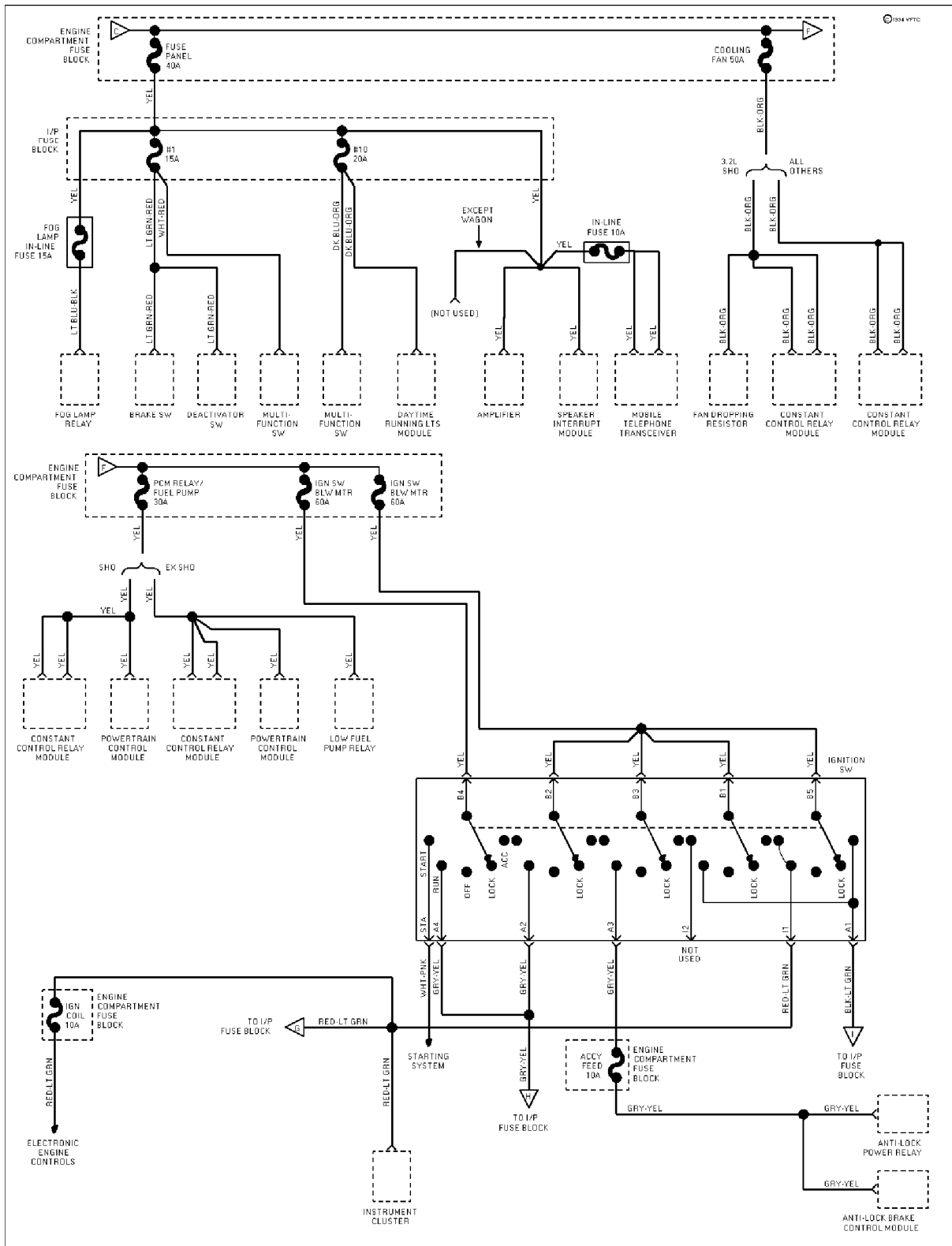
Selected Block (p. 2)

1994 Ford Taurus

For <http://www.mitchell.narod.ru/>

Copyright © 1997 Mitchell International

Friday, March 02, 2001 09:03PM



Power Distribution Circuit (2 of 6)

SYSTEM WIRING DIAGRAMS

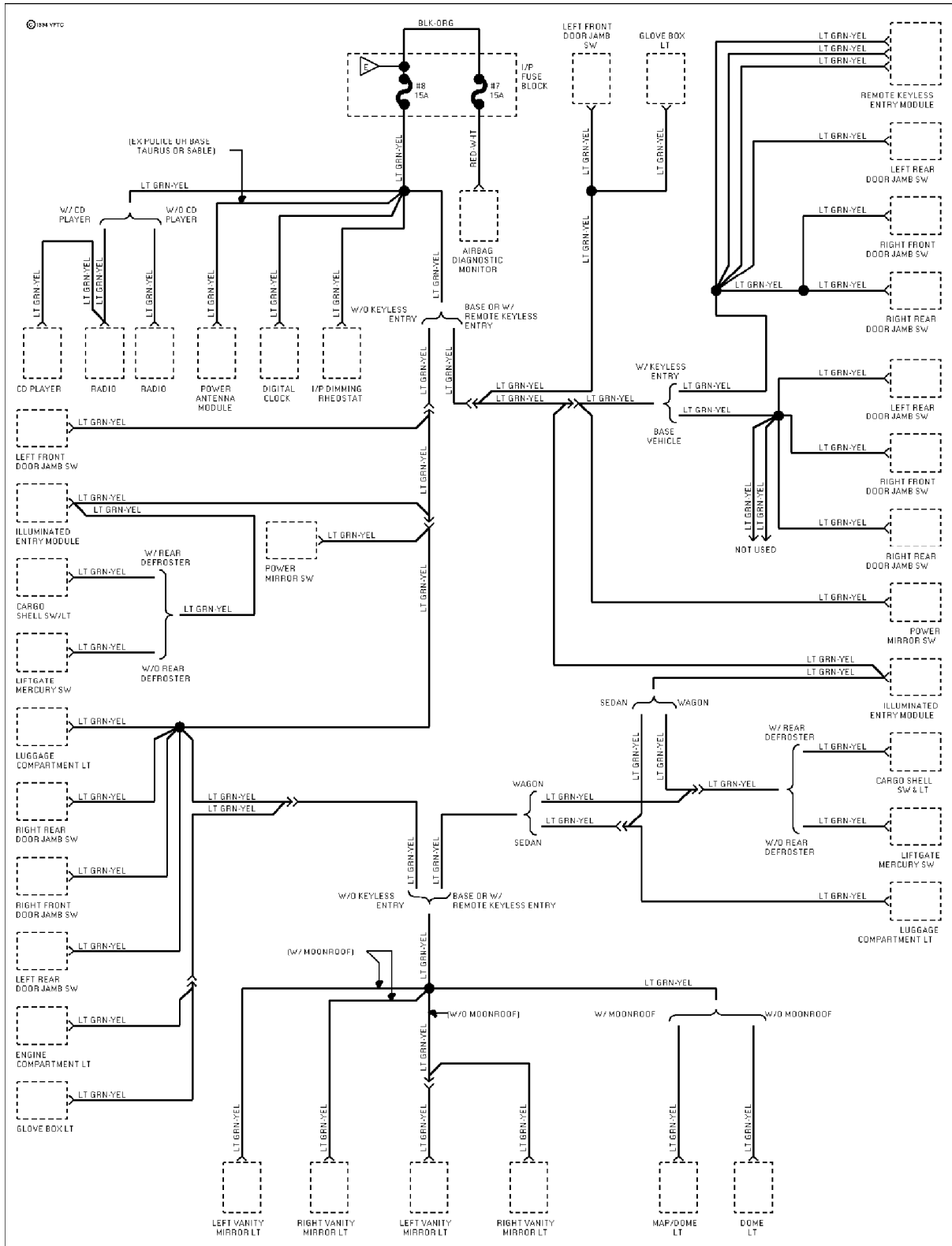
Selected Block (p. 3)

1994 Ford Taurus

For <http://www.mitchell.narod.ru/>

Copyright © 1997 Mitchell International

Friday, March 02, 2001 09:03PM



Power Distribution Circuit (3 of 6)

SYSTEM WIRING DIAGRAMS

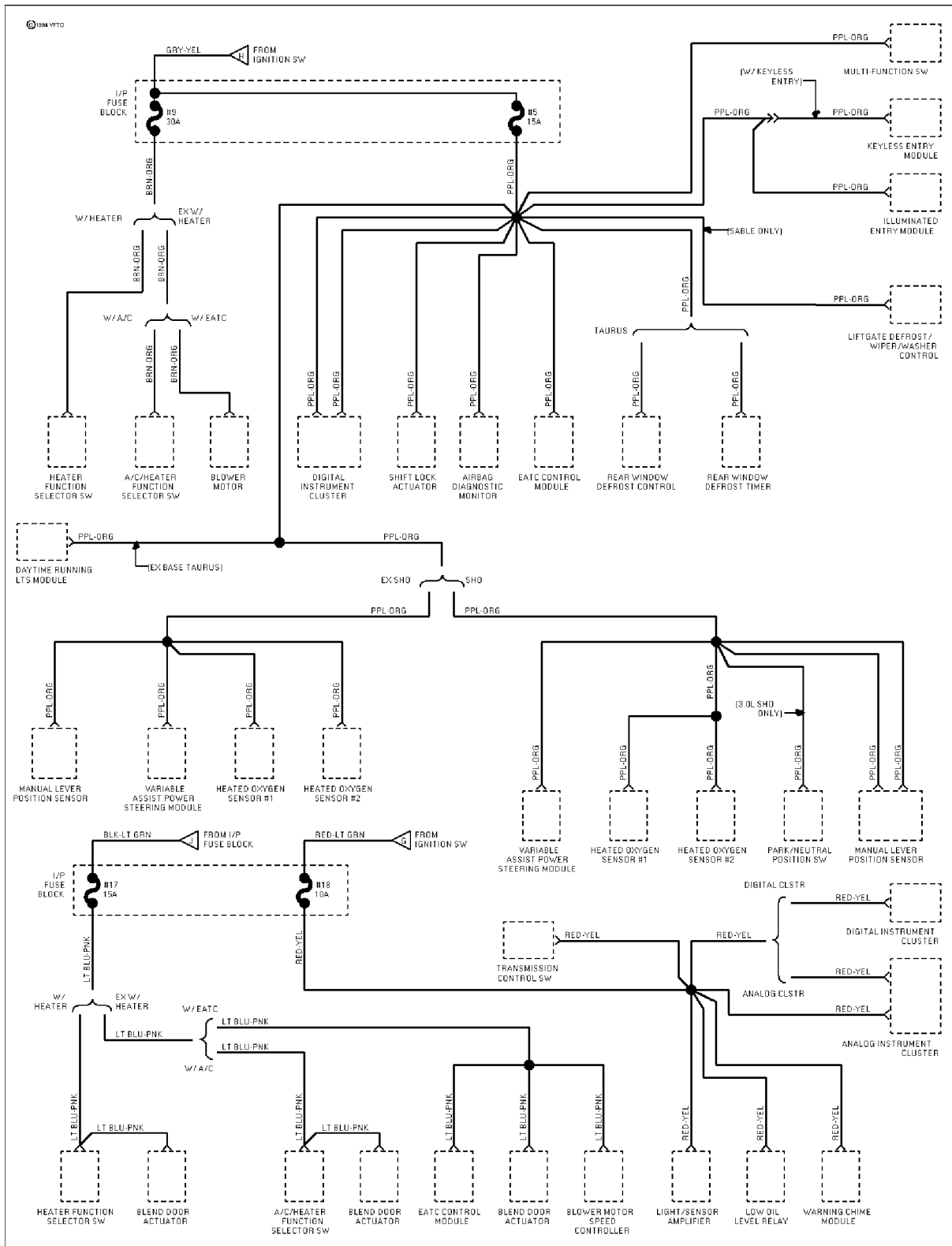
Selected Block (p. 4)

1994 Ford Taurus

For <http://www.mitchell.narod.ru/>

Copyright © 1997 Mitchell International

Friday, March 02, 2001 09:03PM



Power Distribution Circuit (4 of 6)

SYSTEM WIRING DIAGRAMS

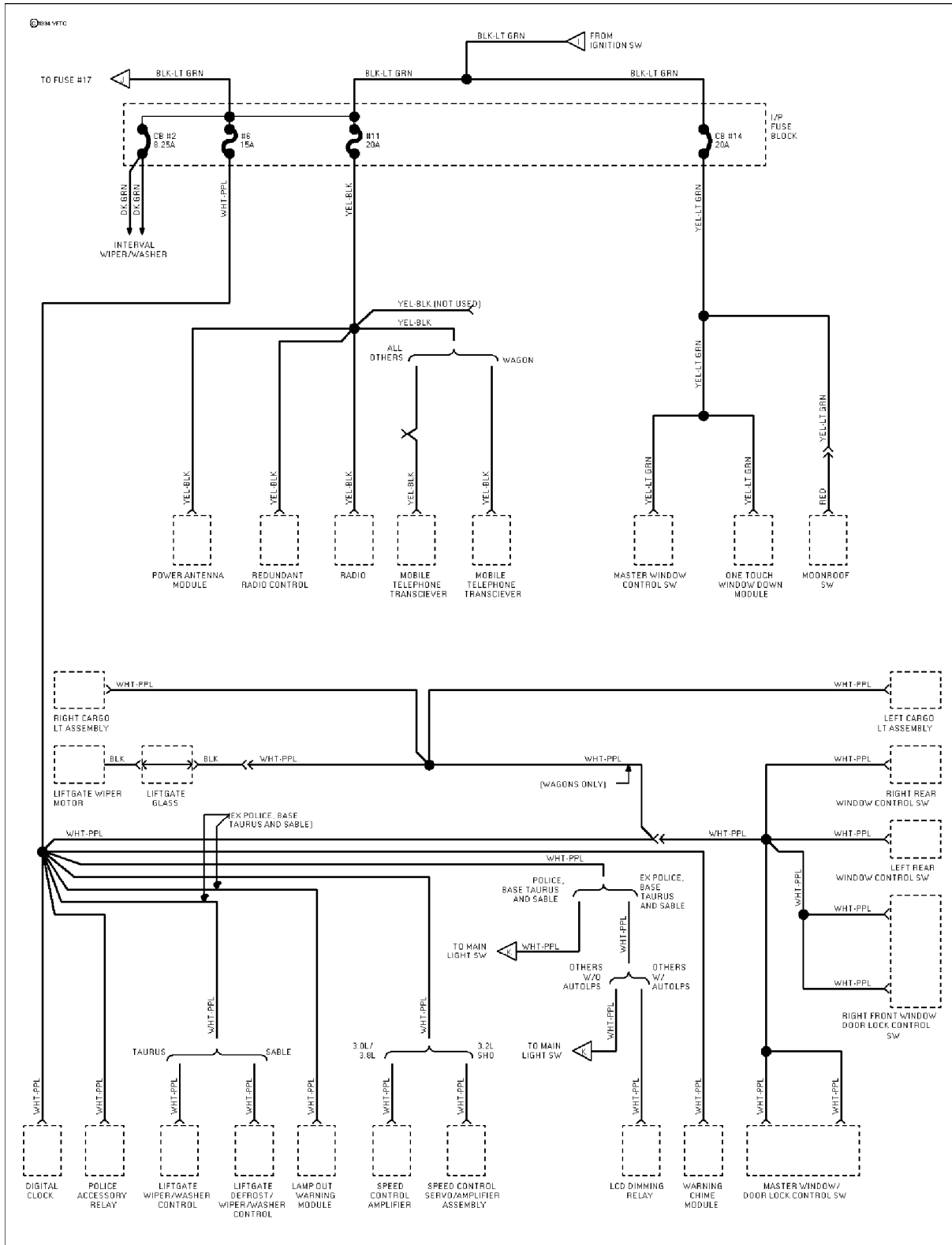
Selected Block (p. 5)

1994 Ford Taurus

For <http://www.mitchell.narod.ru/>

Copyright © 1997 Mitchell International

Friday, March 02, 2001 09:03PM



SYSTEM WIRING DIAGRAMS

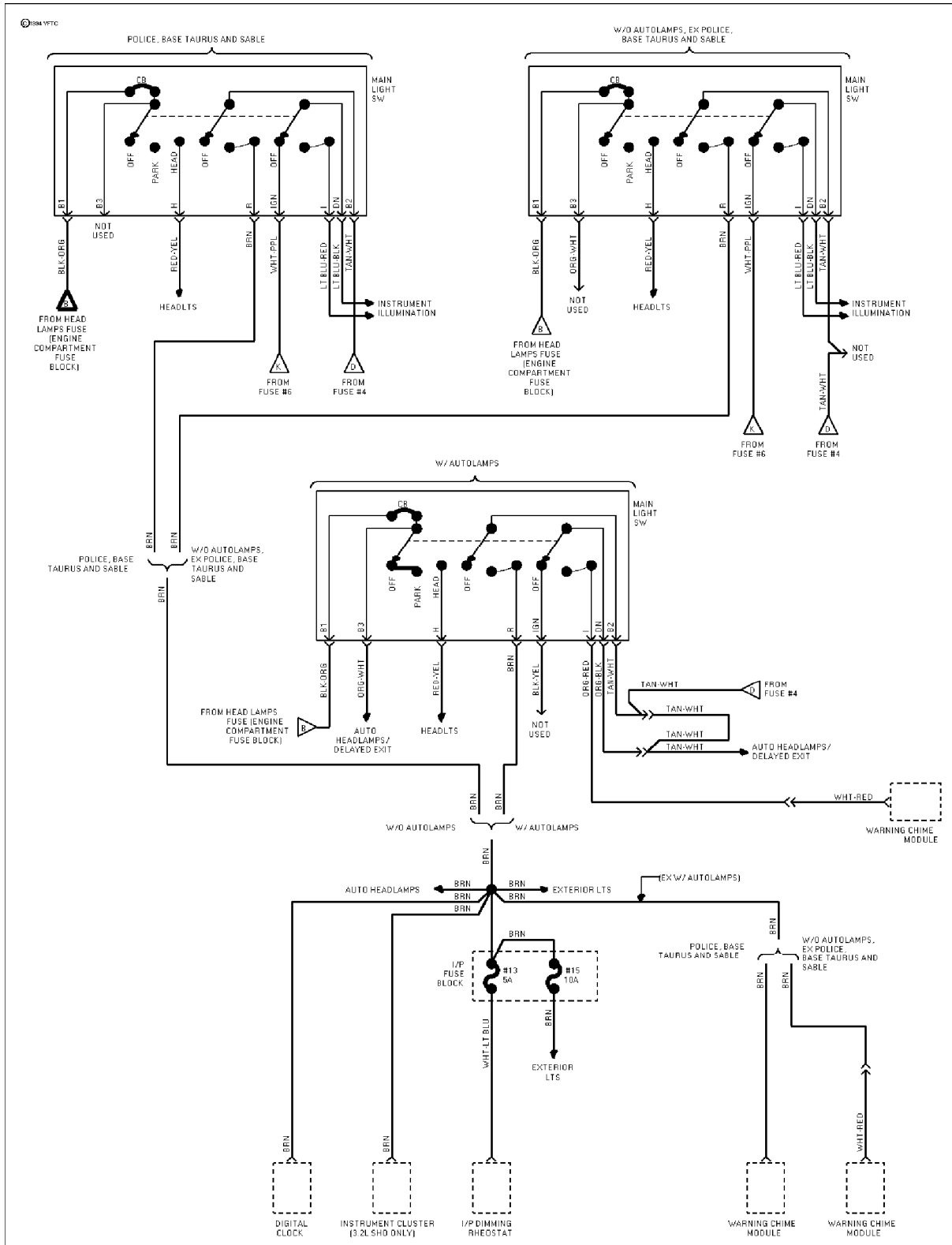
Selected Block (p. 6)

1994 Ford Taurus

For <http://www.mitchell.narod.ru/>

Copyright © 1997 Mitchell International

Friday, March 02, 2001 09:03PM



Power Distribution Circuit (6 of 6)

SYSTEM WIRING DIAGRAMS

Selected Block

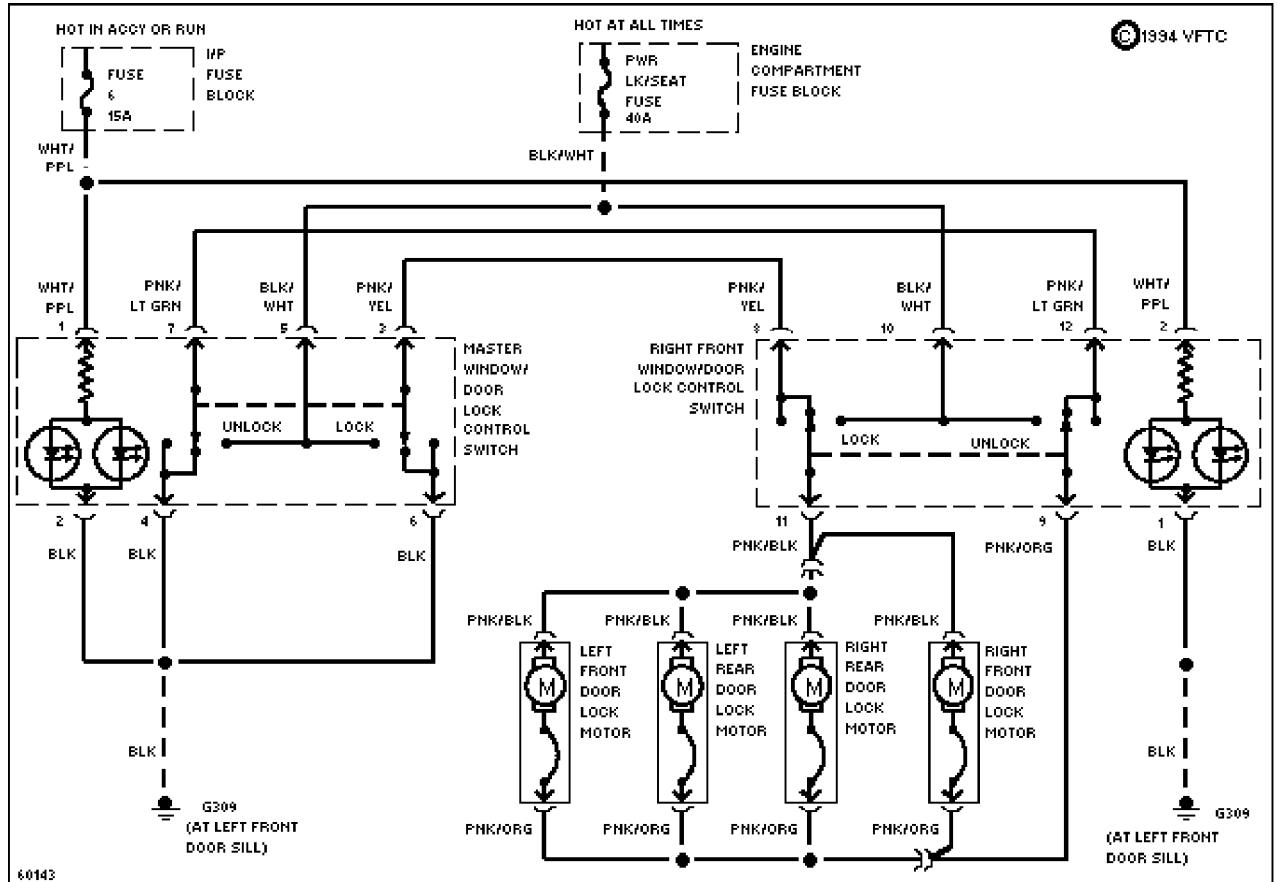
1994 Ford Taurus

For <http://www.mitchell.narod.ru/>

Copyright © 1997 Mitchell International

Friday, March 02, 2001 09:03PM

POWER DOOR LOCKS



Door Lock Circuit, W/ Power Windows

SYSTEM WIRING DIAGRAMS

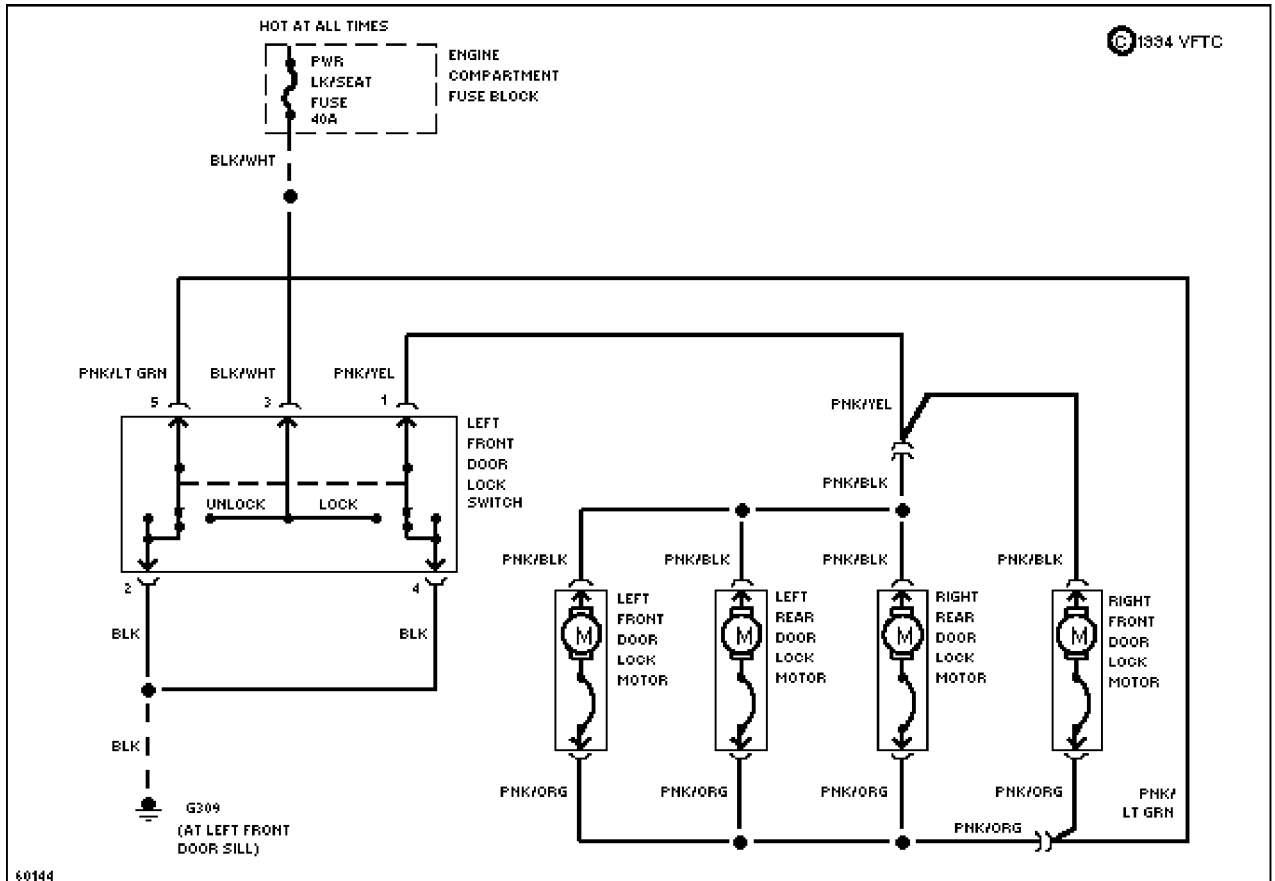
Selected Block (p. 2)

1994 Ford Taurus

For <http://www.mitchell.narod.ru/>

Copyright © 1997 Mitchell International

Friday, March 02, 2001 09:03PM



Door Lock Circuit, W/O Power Windows

SYSTEM WIRING DIAGRAMS

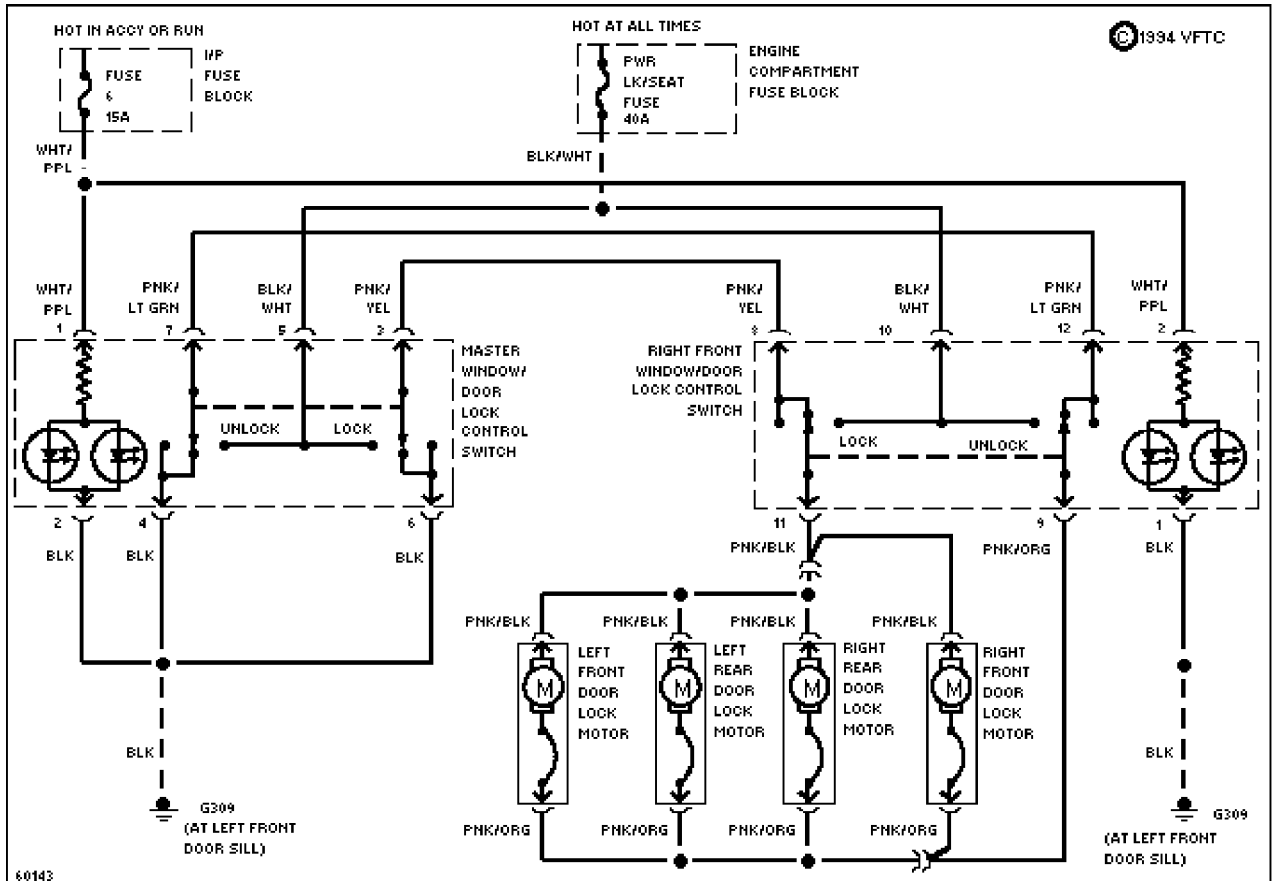
Selected Block (p. 4)

1994 Ford Taurus

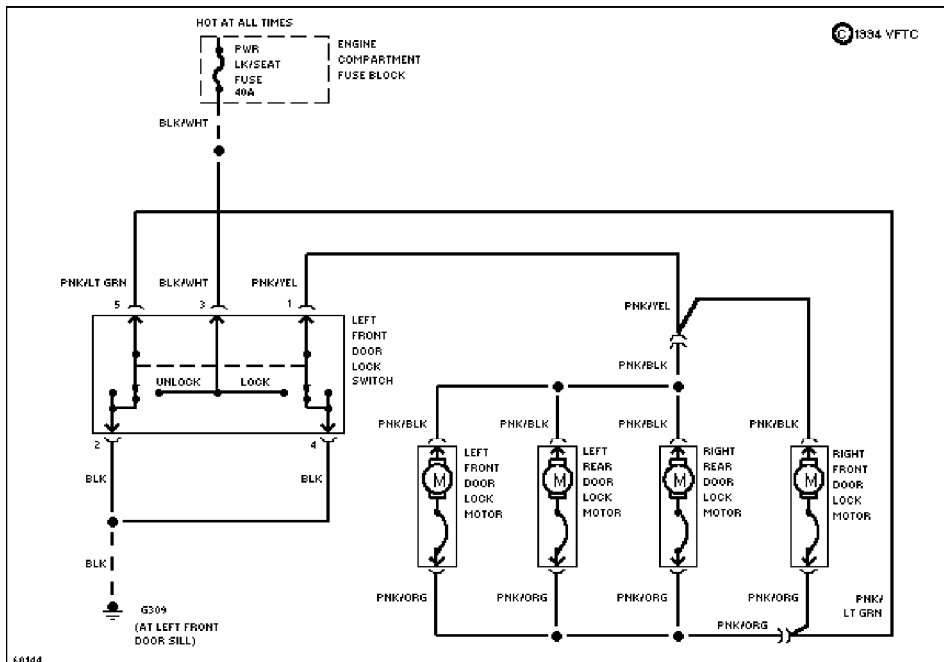
For <http://www.mitchell.narod.ru/>

Copyright © 1997 Mitchell International

Friday, March 02, 2001 09:03PM



Power Door Lock Circuit, W/ Power Windows



Power Door Lock Circuit, W/O Power Windows

SYSTEM WIRING DIAGRAMS

Selected Block (p. 5)

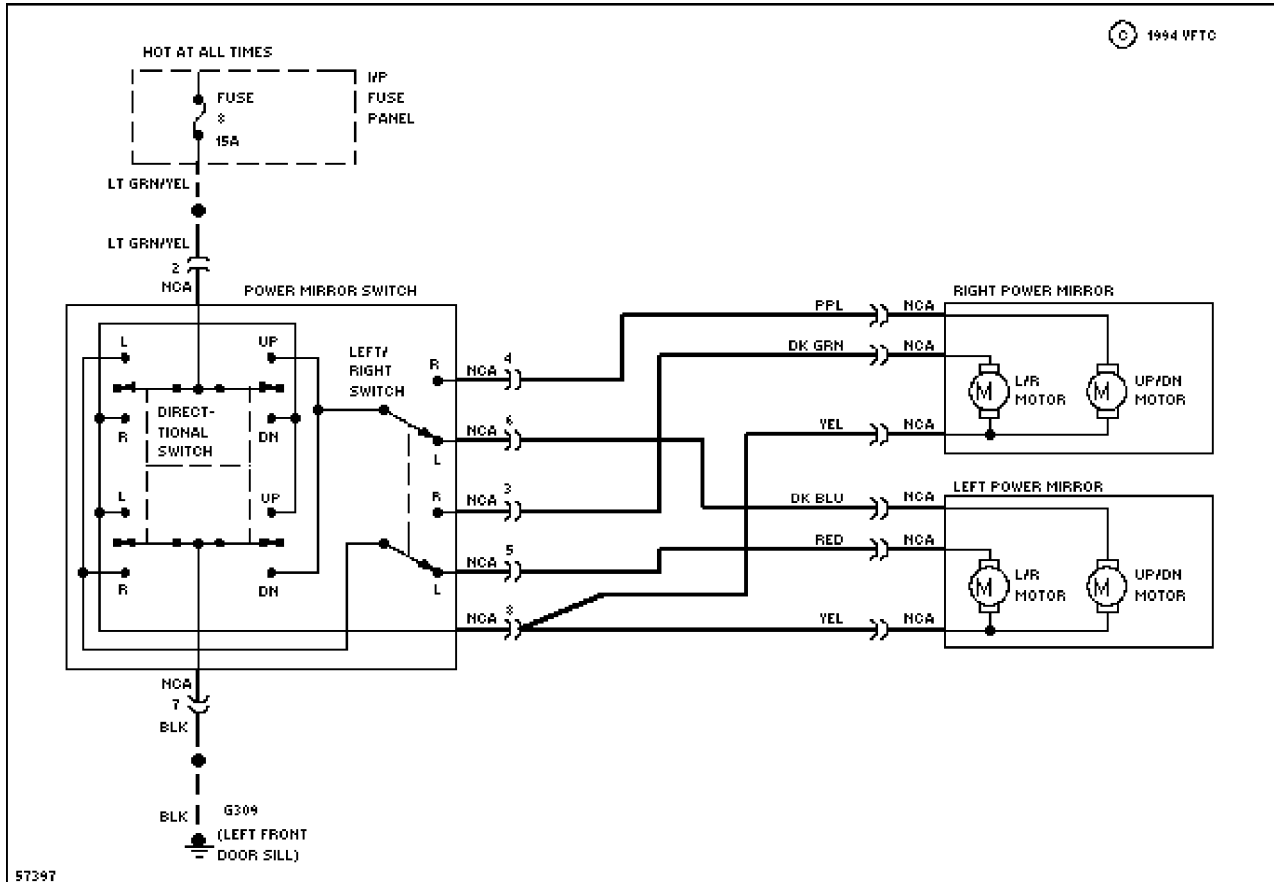
1994 Ford Taurus

For <http://www.mitchell.narod.ru/>

Copyright © 1997 Mitchell International

Friday, March 02, 2001 09:03PM

POWER MIRRORS



Power Mirror Circuit

SYSTEM WIRING DIAGRAMS

Selected Block

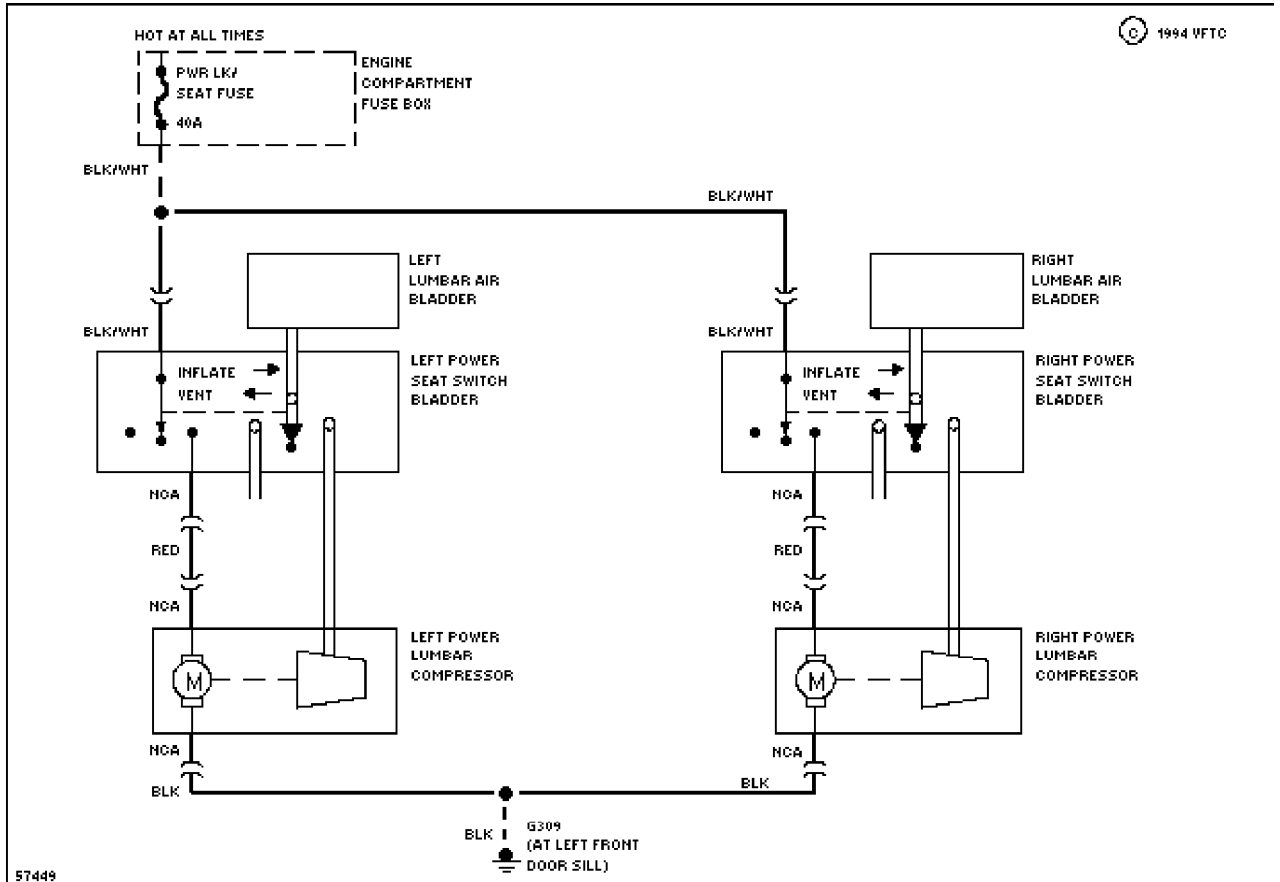
1994 Ford Taurus

For <http://www.mitchell.narod.ru/>

Copyright © 1997 Mitchell International

Friday, March 02, 2001 09:05PM

POWER SEATS



Lumbar Circuit

SYSTEM WIRING DIAGRAMS

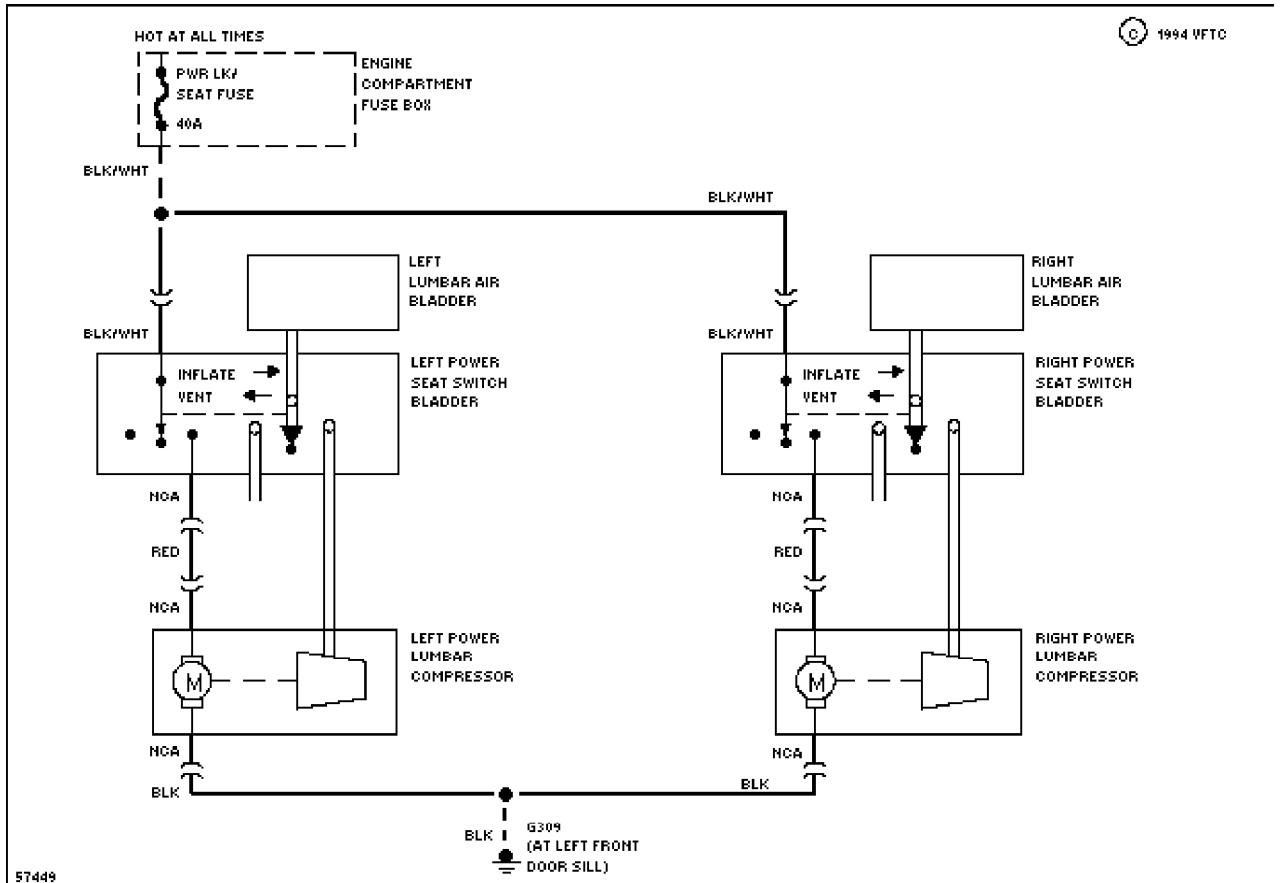
Selected Block (p. 2)

1994 Ford Taurus

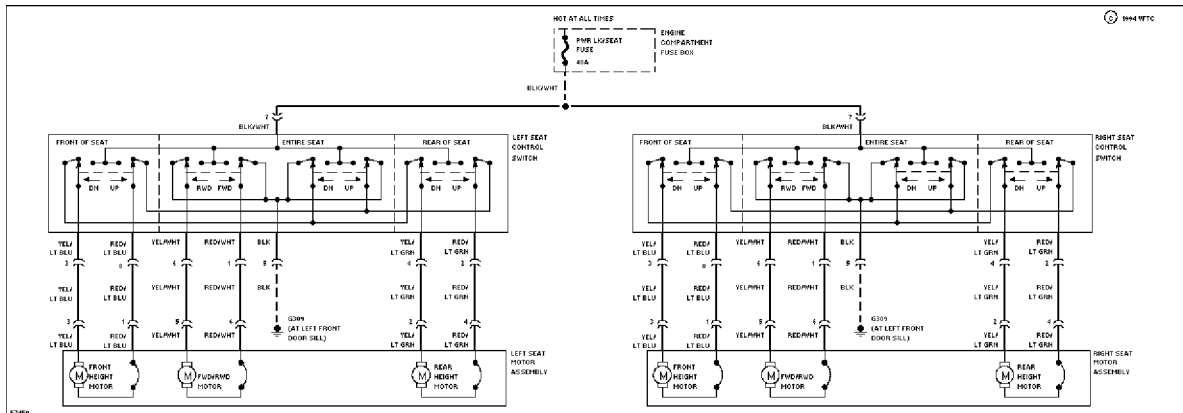
For <http://www.mitchell.narod.ru/>

Copyright © 1997 Mitchell International

Friday, March 02, 2001 09:05PM



Power Lumbar Seat Circuit



Power Seat Circuit

POWER TOP/SUNROOF

SYSTEM WIRING DIAGRAMS

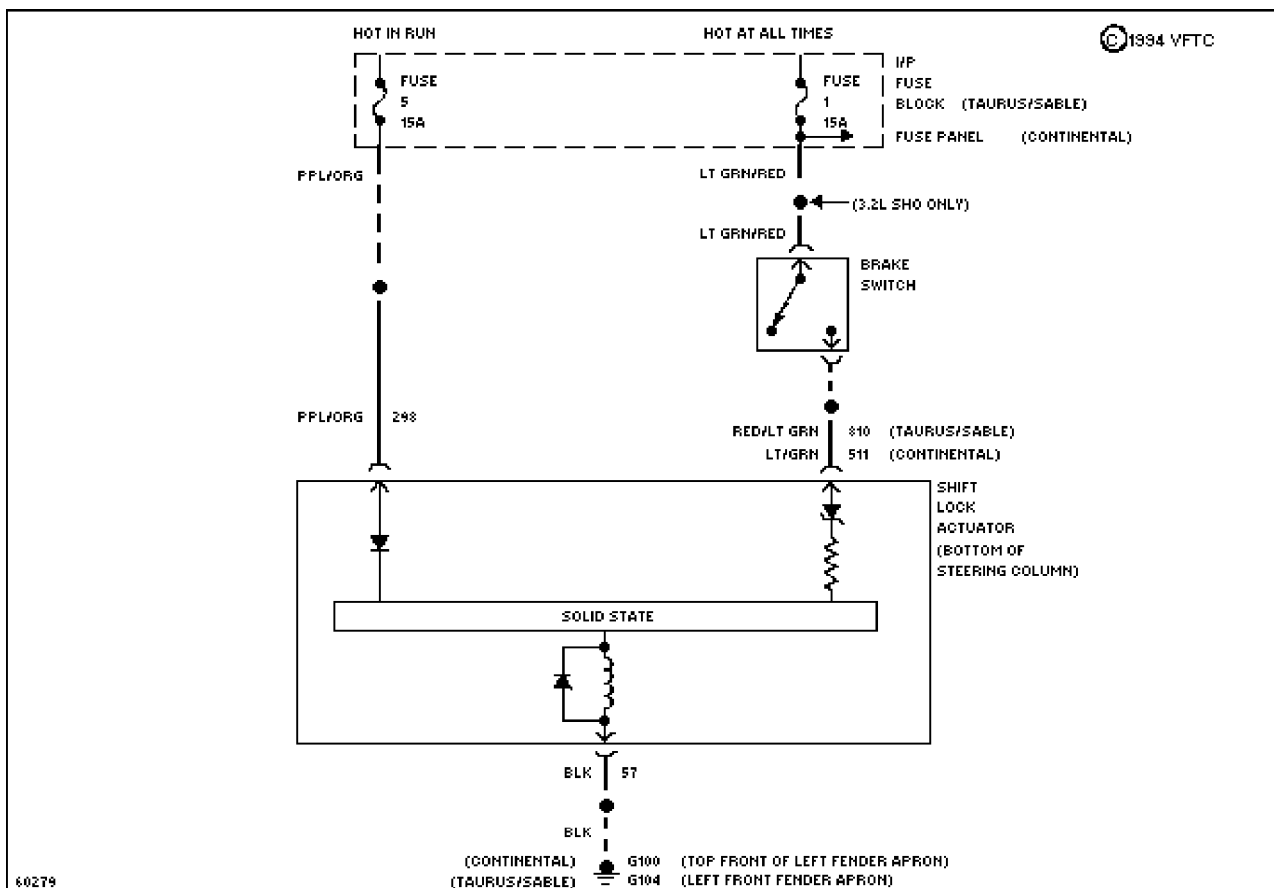
Selected Block (p. 4)

1994 Ford Taurus

For <http://www.mitchell.narod.ru/>

Copyright © 1997 Mitchell International

Friday, March 02, 2001 09:05PM



Shift Interlock Circuit

SYSTEM WIRING DIAGRAMS

Selected Block

1994 Ford Taurus

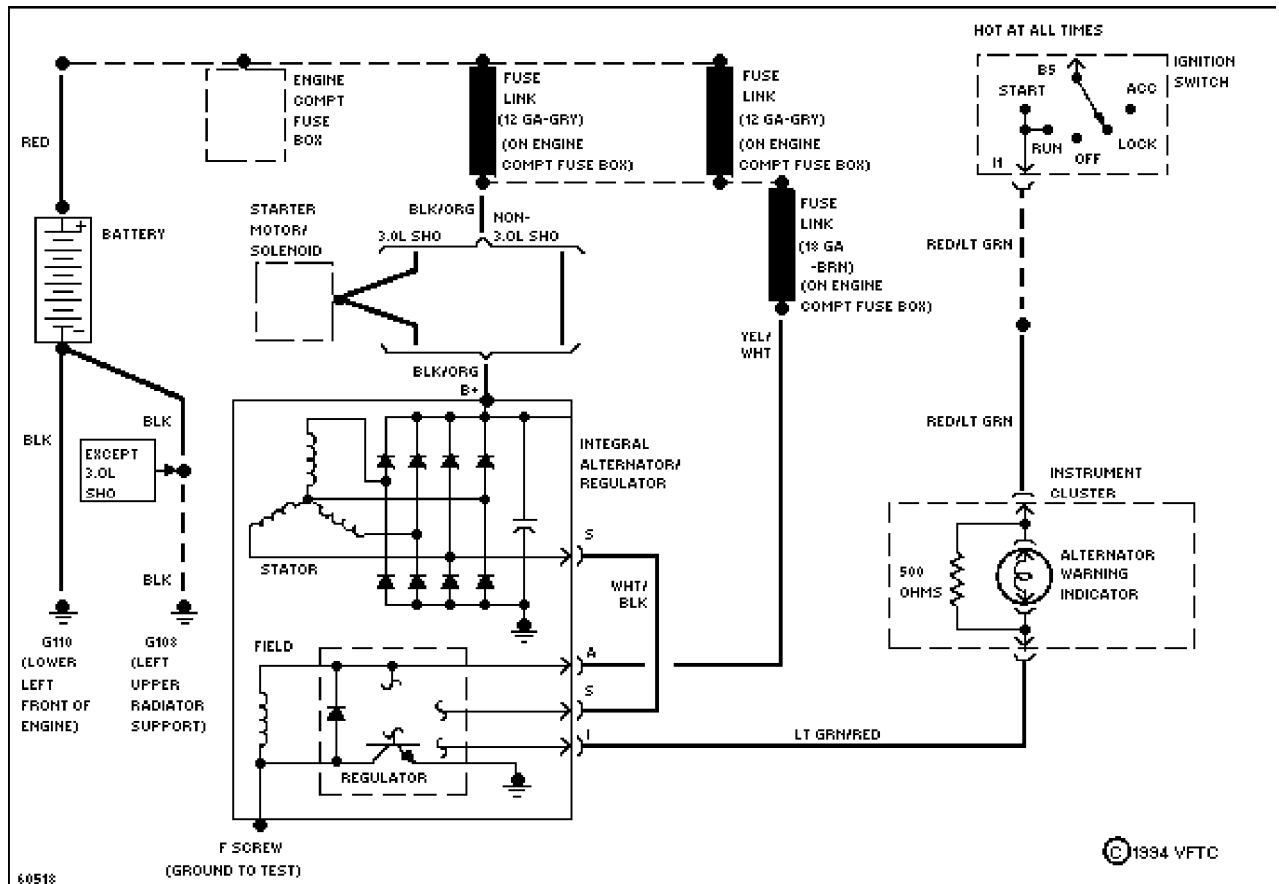
For <http://www.mitchell.narod.ru/>

Copyright © 1997 Mitchell International

Friday, March 02, 2001 09:05PM

STARTING/CHARGING

3.0L



3.0L Flex Fuel, Charging Circuit

SYSTEM WIRING DIAGRAMS

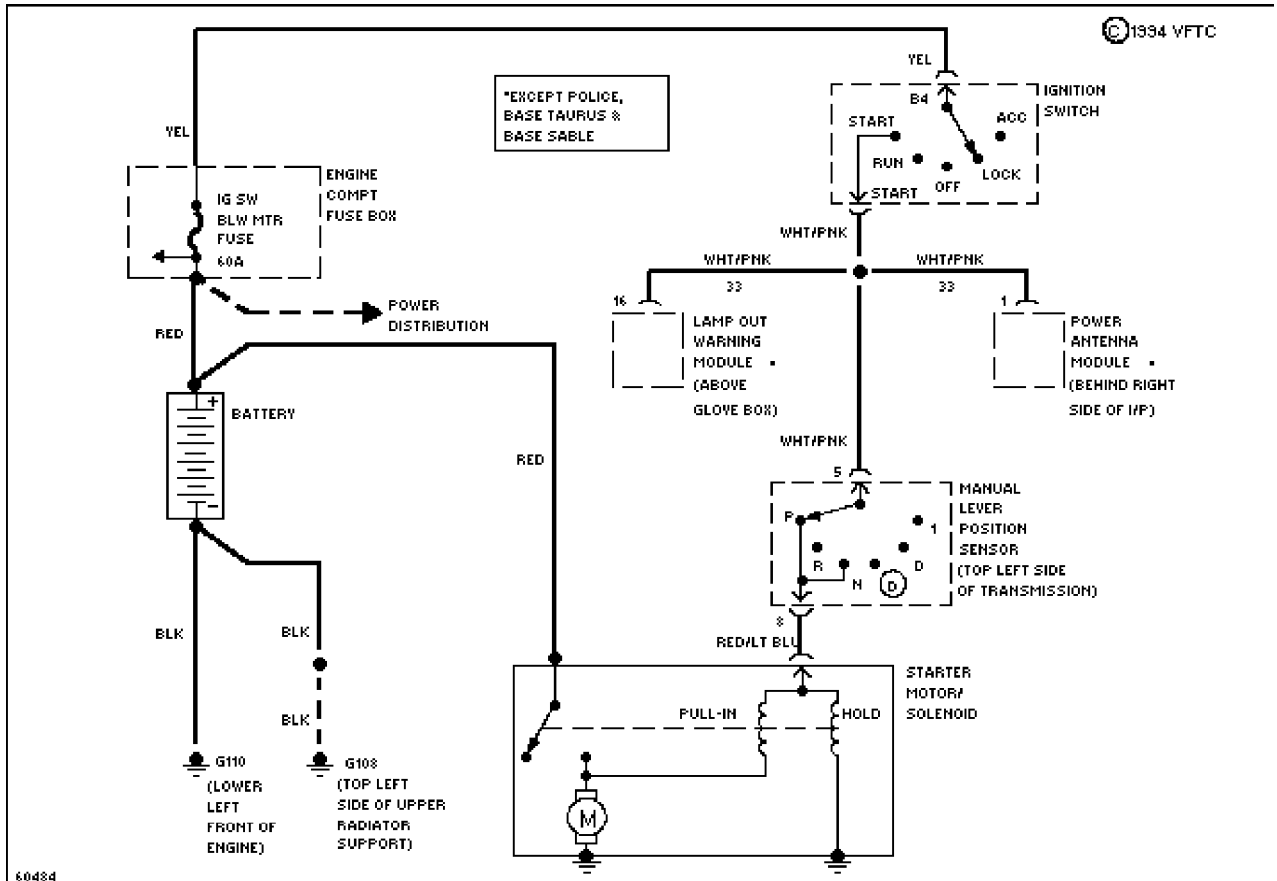
Selected Block (p. 2)

1994 Ford Taurus

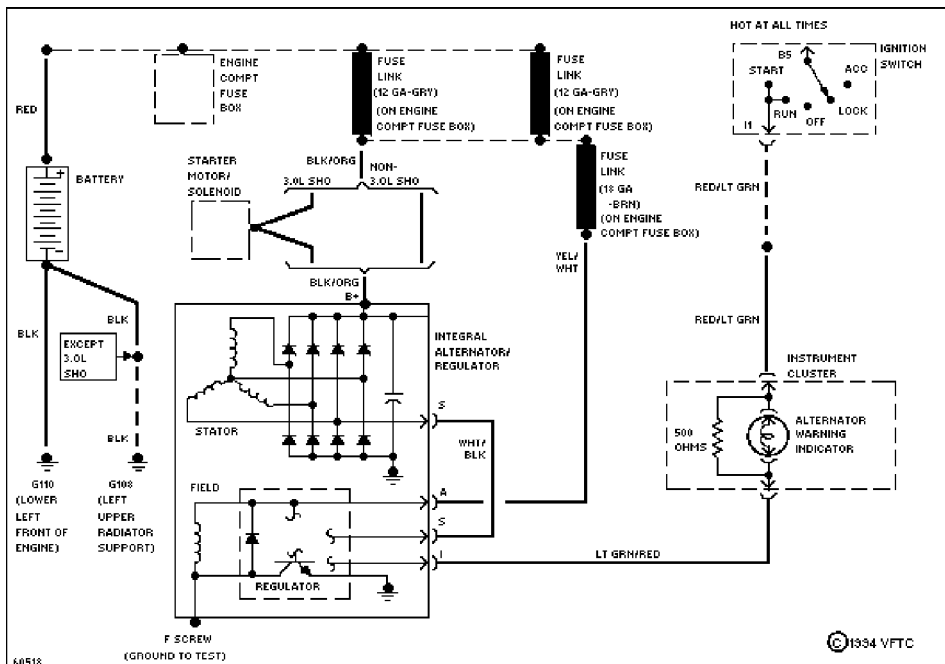
For <http://www.mitchell.narod.ru/>

Copyright © 1997 Mitchell International

Friday, March 02, 2001 09:05PM



3.0L Flex Fuel, Starting Circuit



3.0L SHO, Charging Circuit

SYSTEM WIRING DIAGRAMS

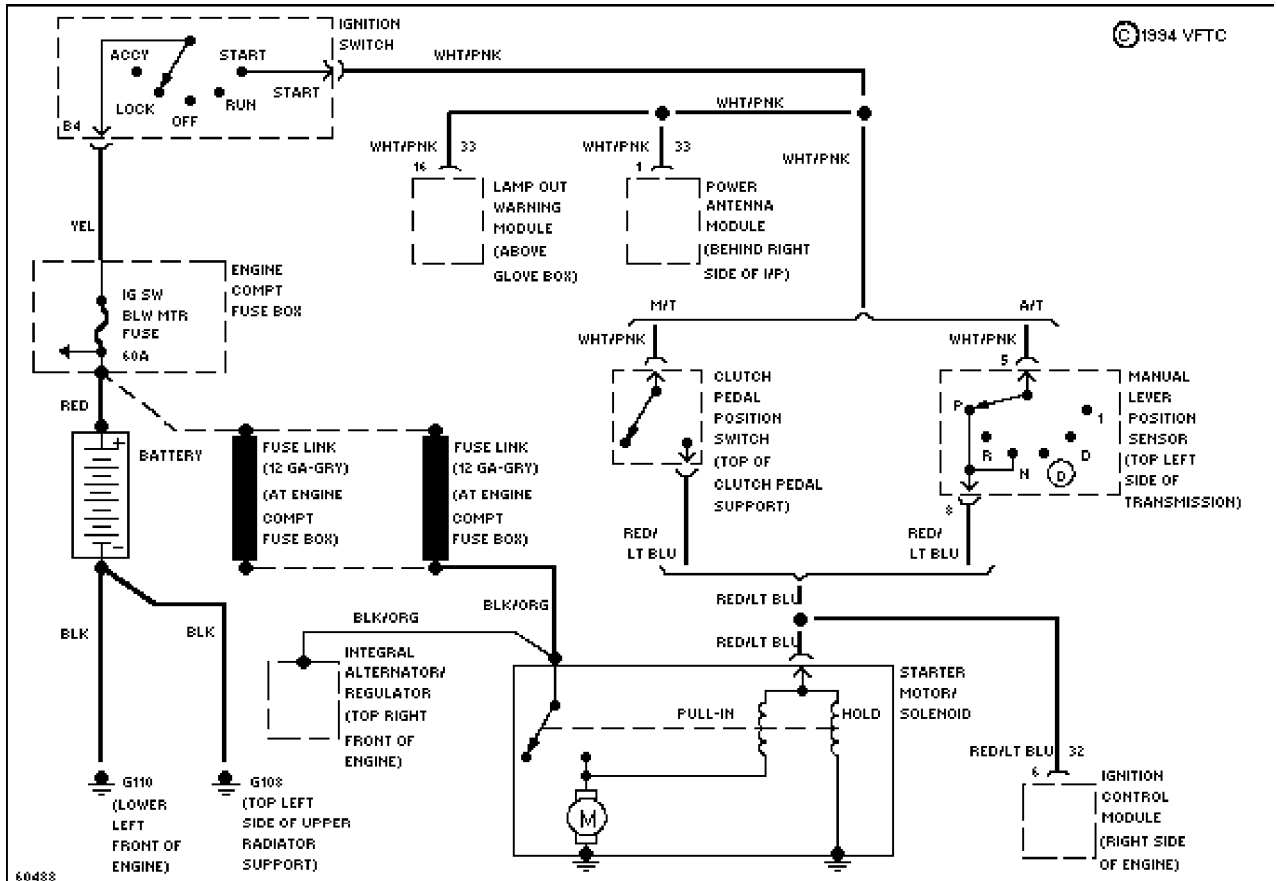
Selected Block (p. 3)

1994 Ford Taurus

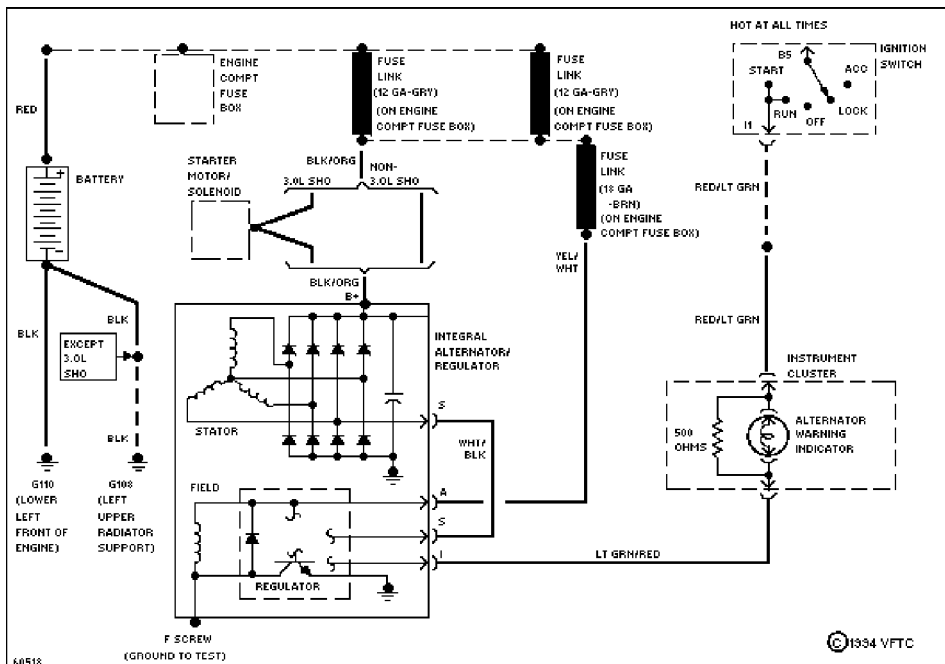
For <http://www.mitchell.narod.ru/>

Copyright © 1997 Mitchell International

Friday, March 02, 2001 09:05PM



3.0L SHO, Starting Circuit



3.0L, Charging Circuit

SYSTEM WIRING DIAGRAMS

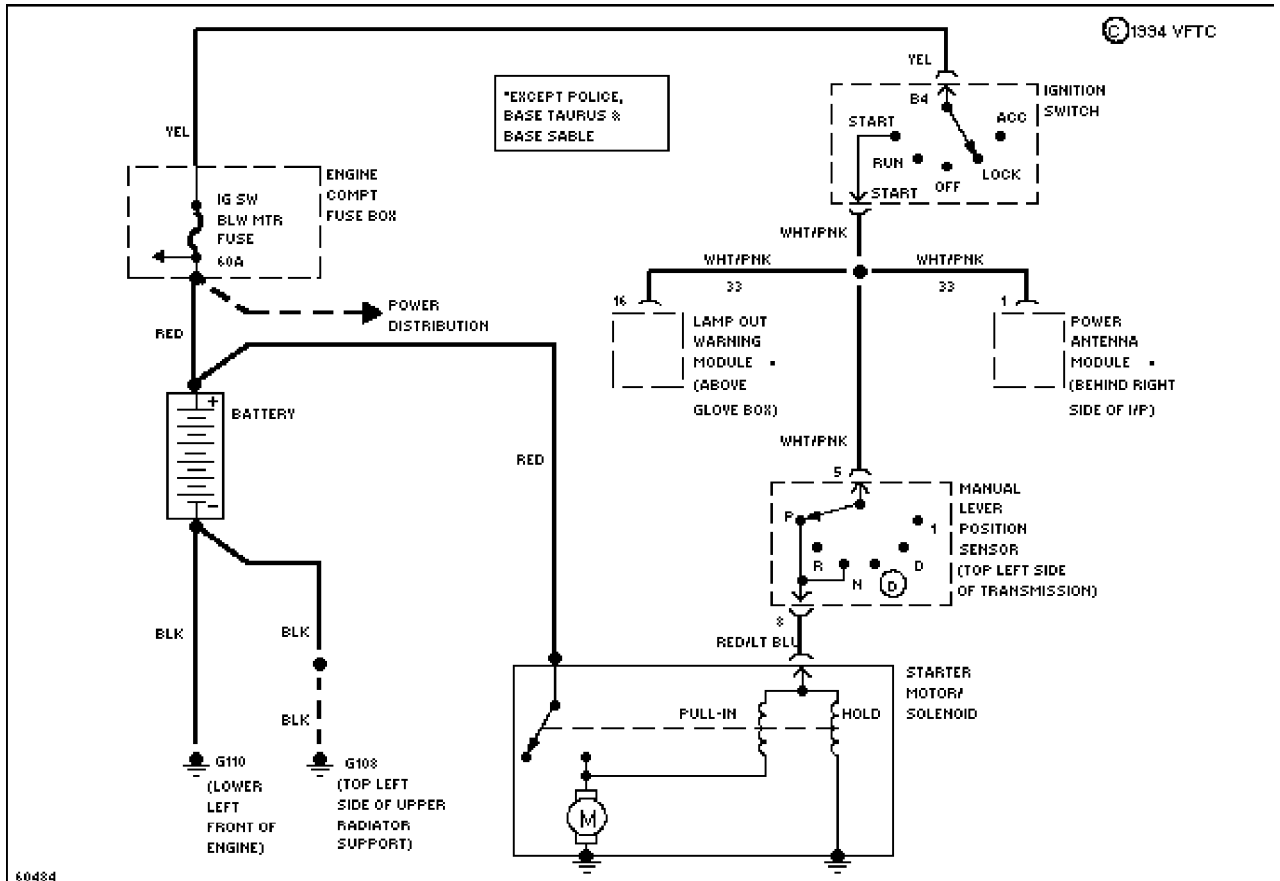
Selected Block (p. 4)

1994 Ford Taurus

For <http://www.mitchell.narod.ru/>

Copyright © 1997 Mitchell International

Friday, March 02, 2001 09:05PM



3.0L, Starting Circuit

SYSTEM WIRING DIAGRAMS

Selected Block

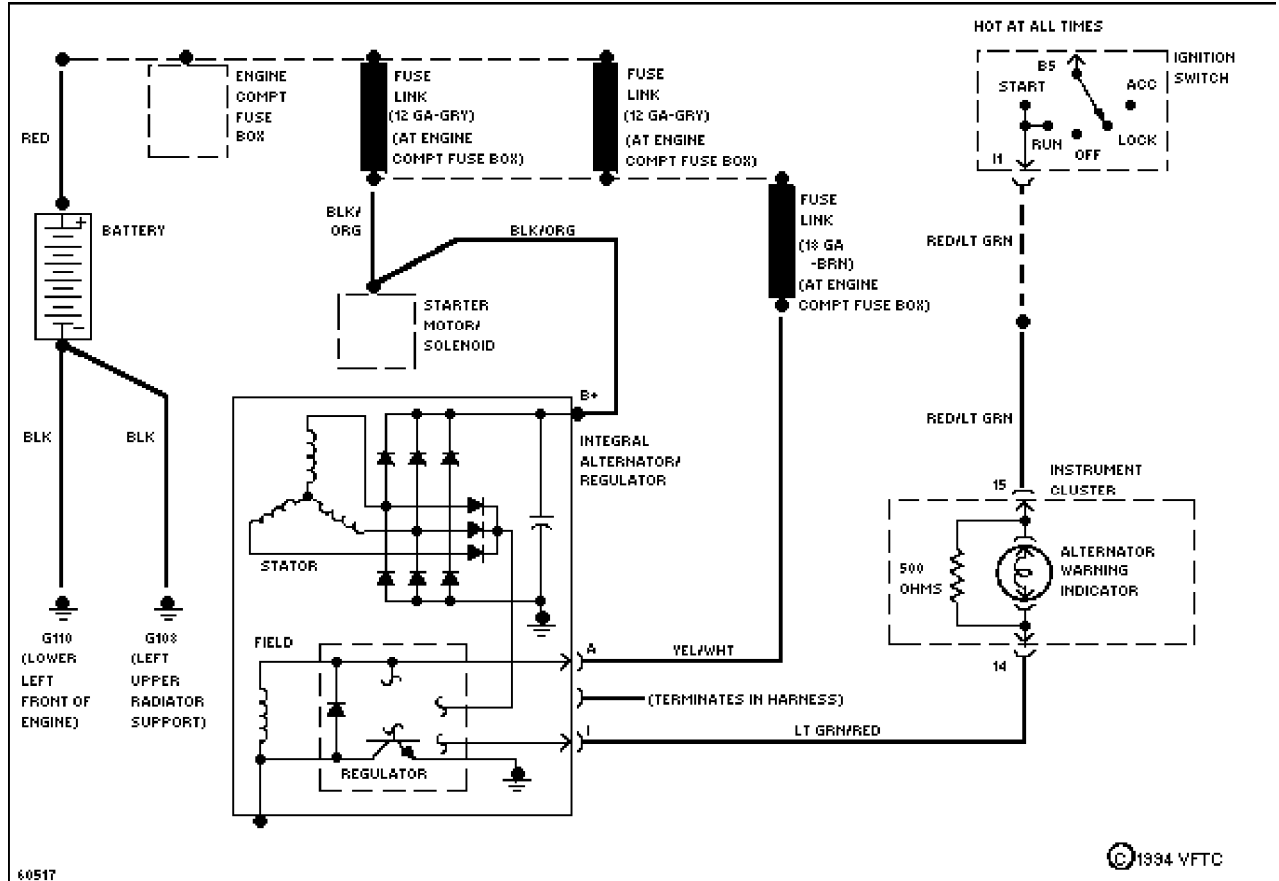
1994 Ford Taurus

For <http://www.mitchell.narod.ru/>

Copyright © 1997 Mitchell International

Friday, March 02, 2001 09:05PM

3.2L



3.2L SHO, Charging Circuit

SYSTEM WIRING DIAGRAMS

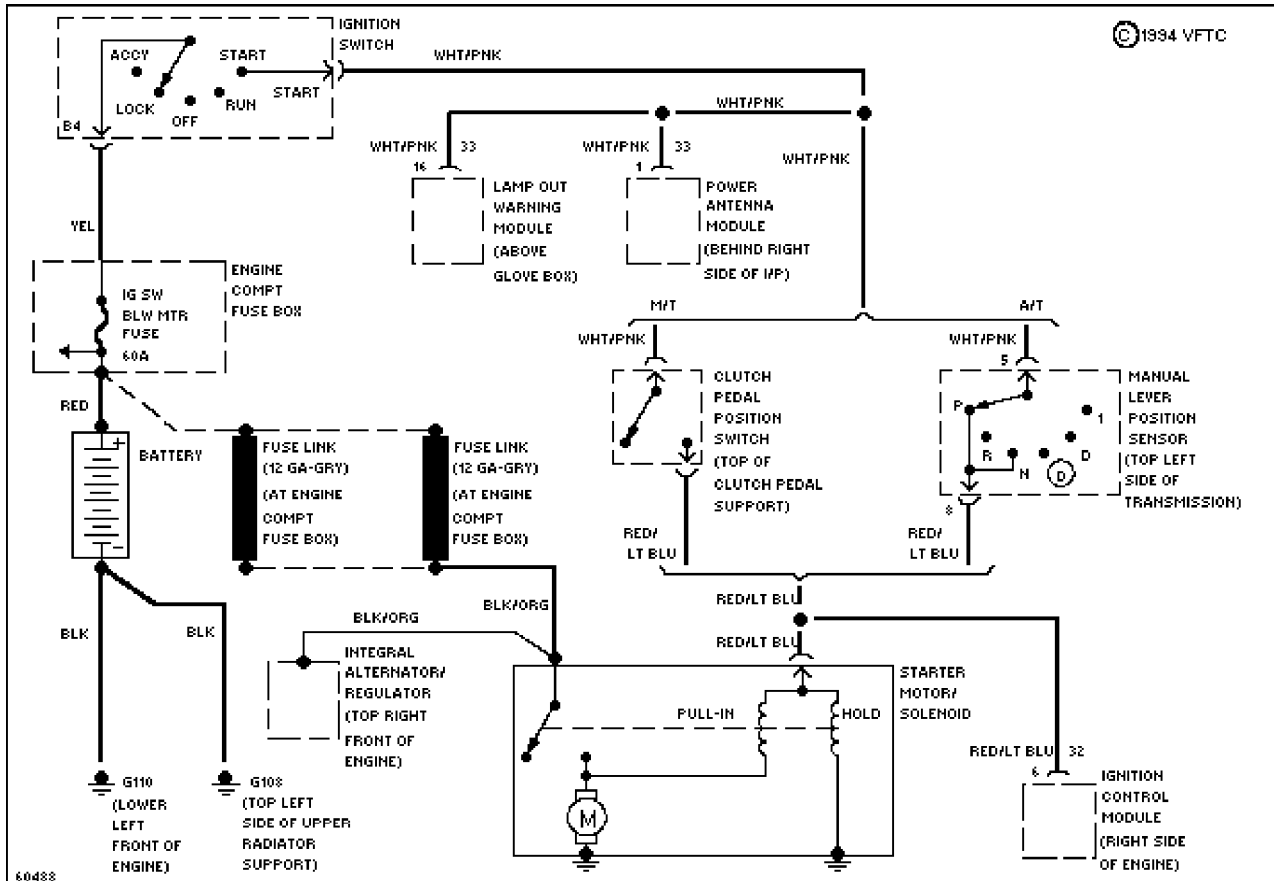
Selected Block (p. 2)

1994 Ford Taurus

For <http://www.mitchell.narod.ru/>

Copyright © 1997 Mitchell International

Friday, March 02, 2001 09:05PM



3.2L SHO, Starting Circuit

3.8L

SYSTEM WIRING DIAGRAMS

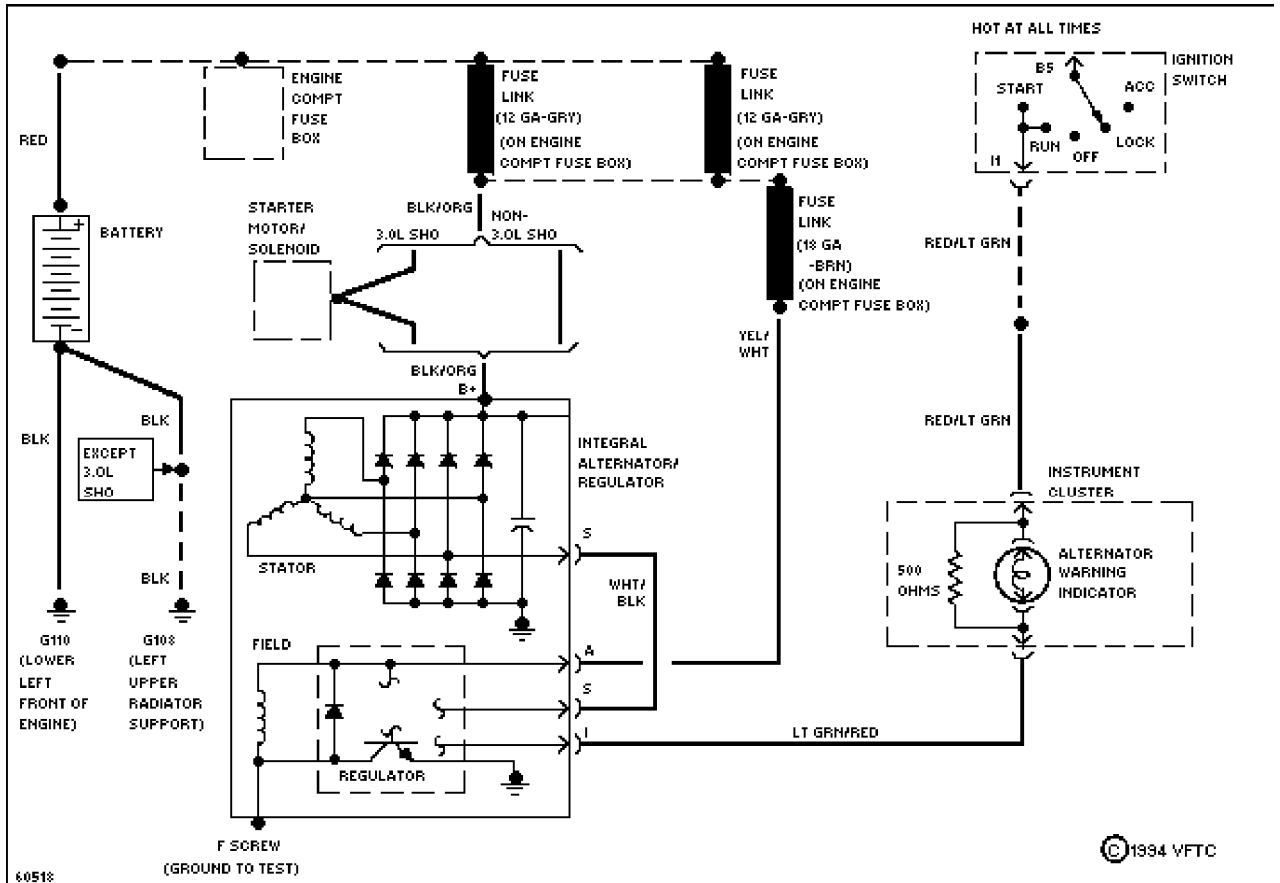
Selected Block (p. 3)

1994 Ford Taurus

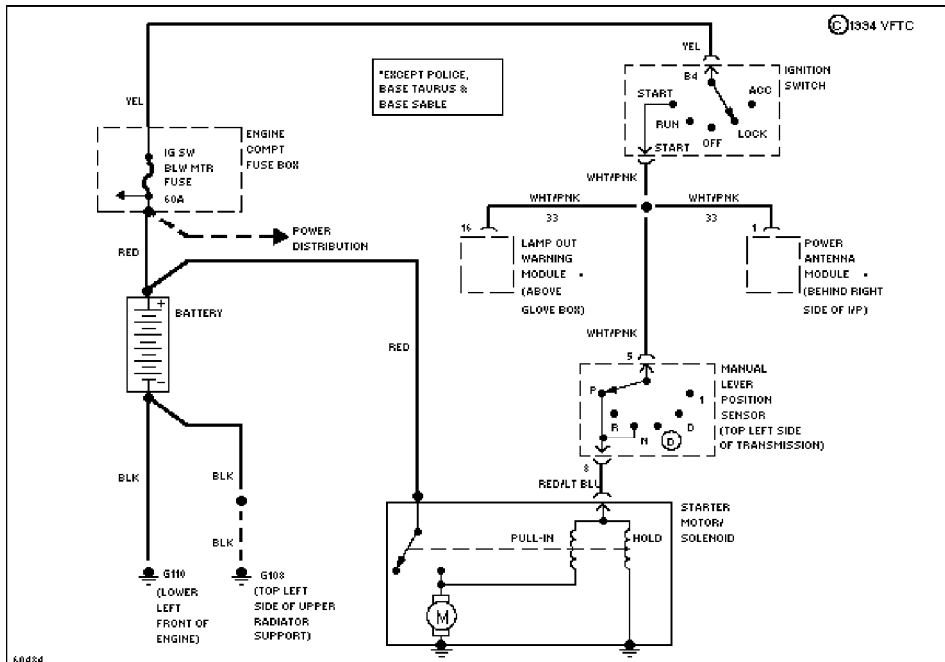
For <http://www.mitchell.narod.ru/>

Copyright © 1997 Mitchell International

Friday, March 02, 2001 09:05PM



3.8L, Charging Circuit



3.8L, Starting Circuit

SYSTEM WIRING DIAGRAMS

Selected Block (p. 4)

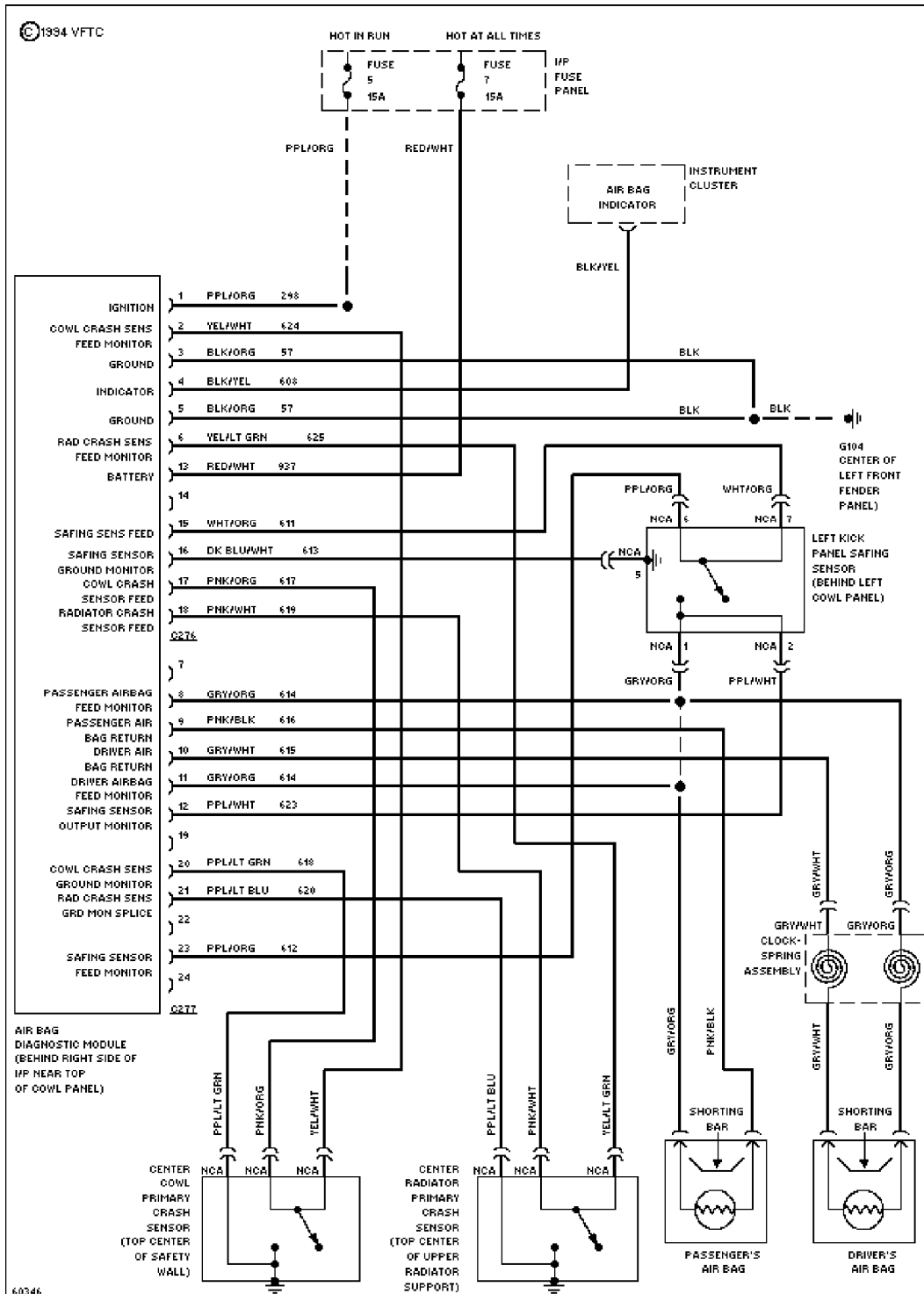
1994 Ford Taurus

For <http://www.mitchell.narod.ru/>

Copyright © 1997 Mitchell International

Friday, March 02, 2001 09:05PM

SUPPLEMENTAL RESTRAINTS



Supplemental Restraint Circuit

SYSTEM WIRING DIAGRAMS

Selected Block

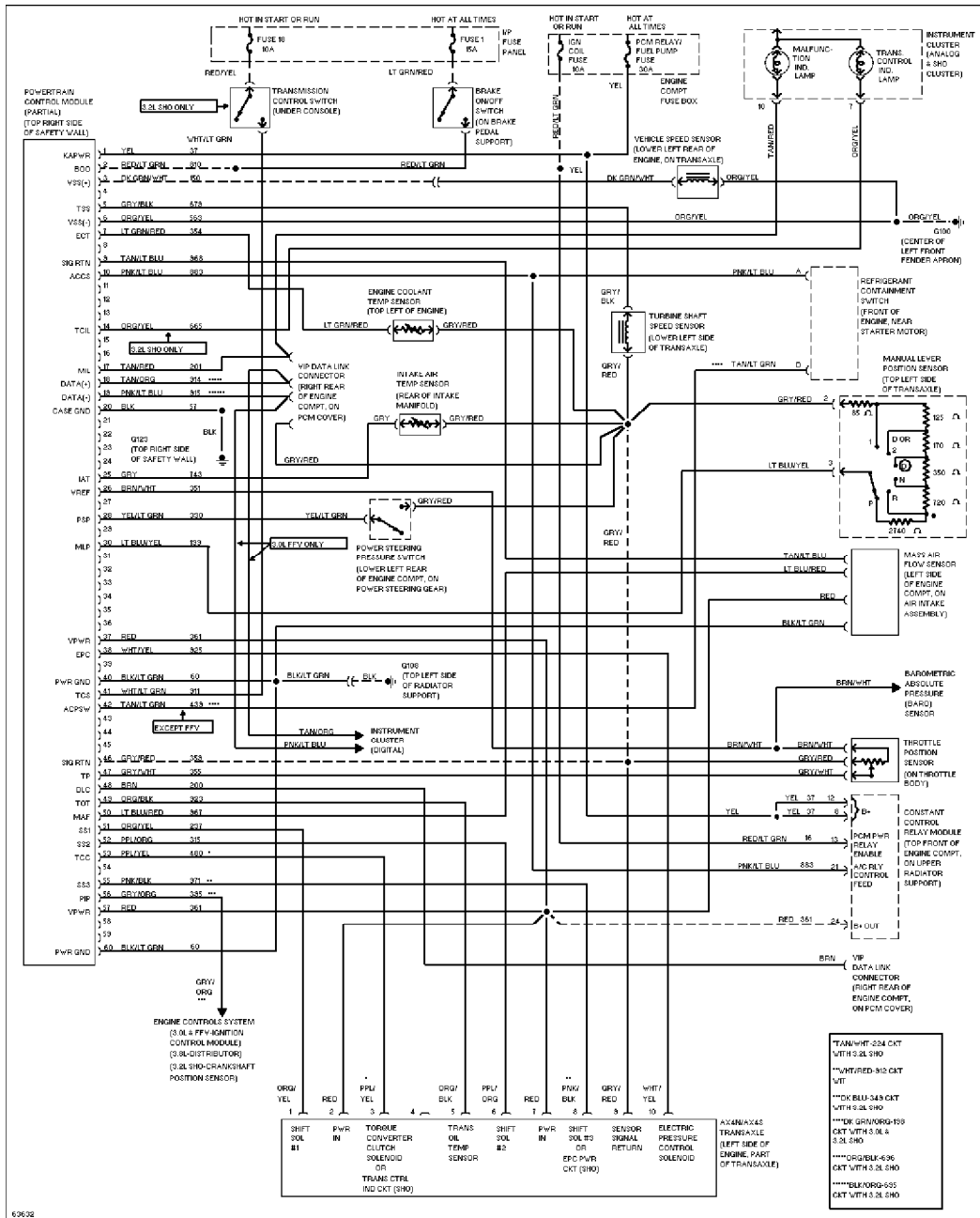
1994 Ford Taurus

For <http://www.mitchell.narod.ru/>

Copyright © 1997 Mitchell International

Friday, March 02, 2001 09:05PM

TRANSMISSION



Transmission Circuit

TRUNK, TAILGATE, FUEL DOOR

SYSTEM WIRING DIAGRAMS

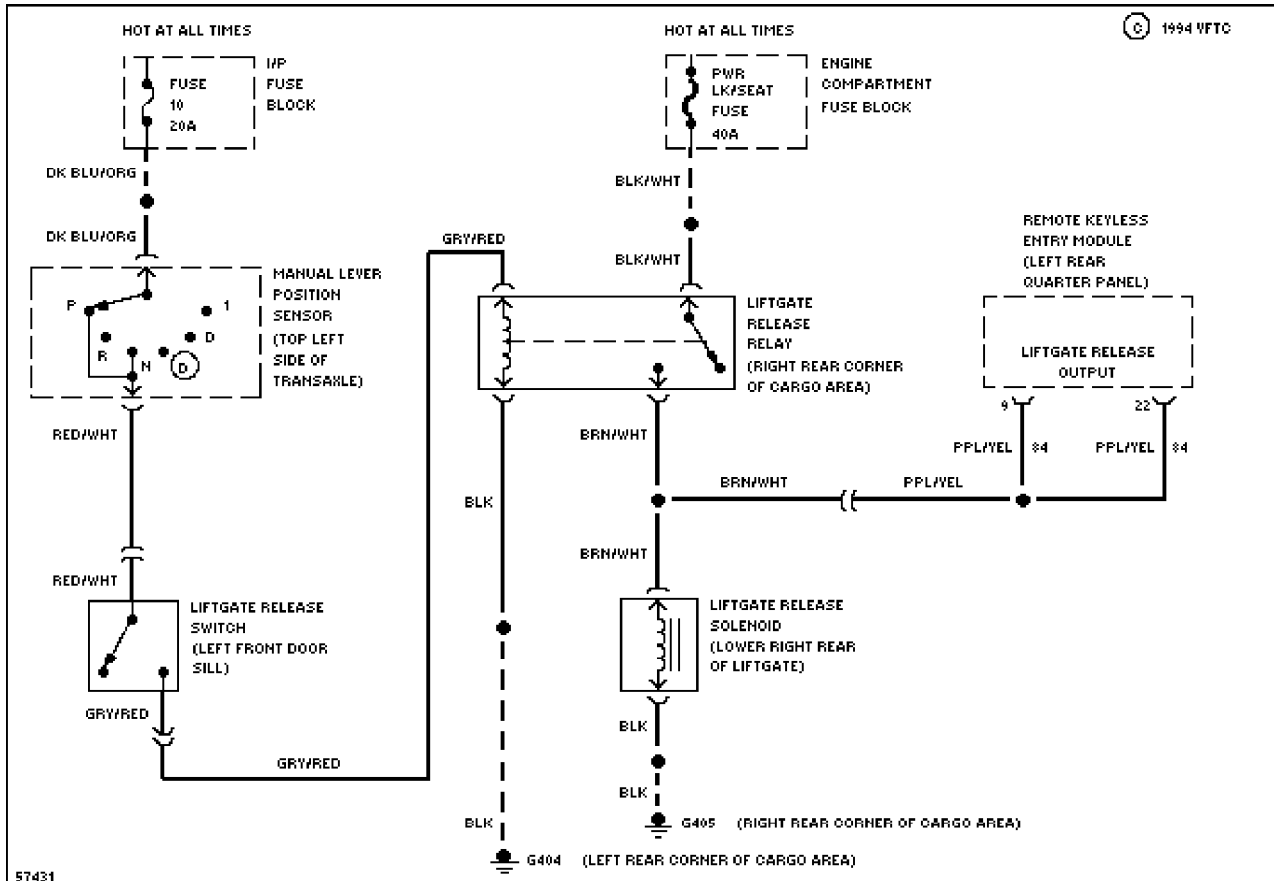
Selected Block (p. 2)

1994 Ford Taurus

For <http://www.mitchell.narod.ru/>

Copyright © 1997 Mitchell International

Friday, March 02, 2001 09:05PM



Tailgate Release Circuit

WIPER/WASHER

SYSTEM WIRING DIAGRAMS

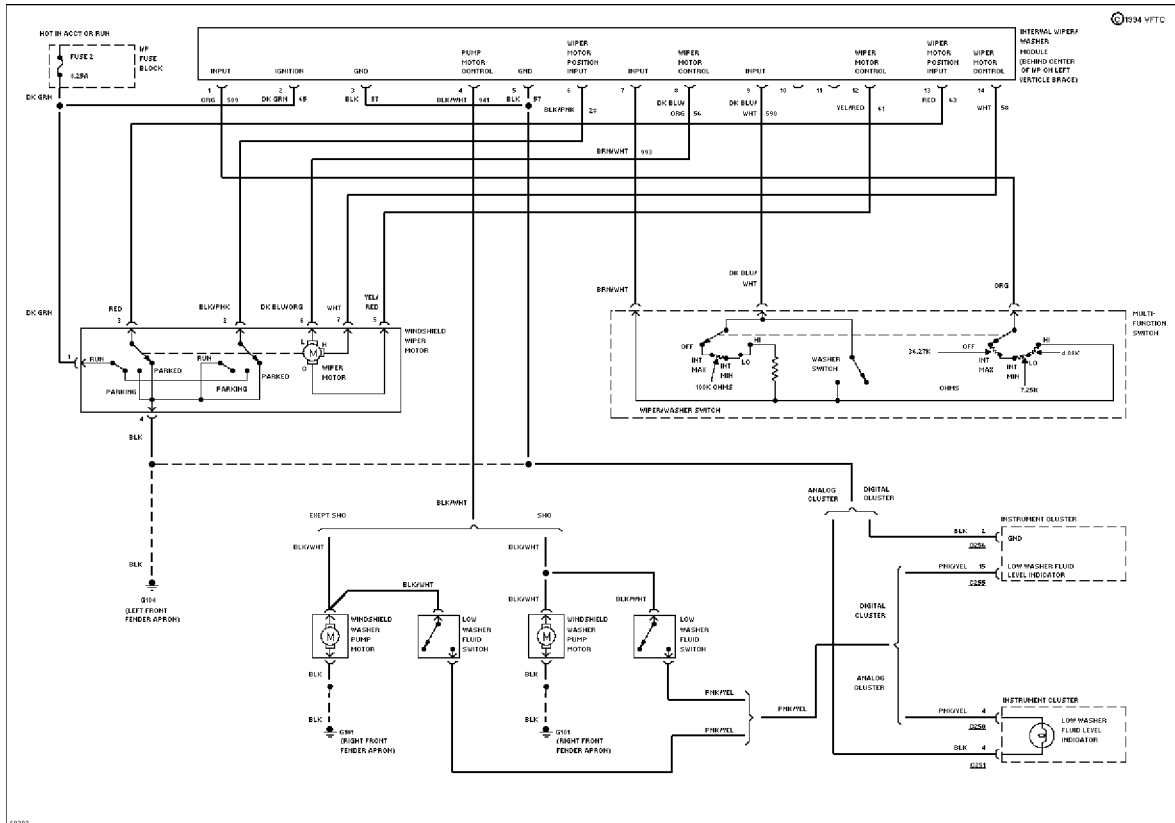
Selected Block (p. 3)

1994 Ford Taurus

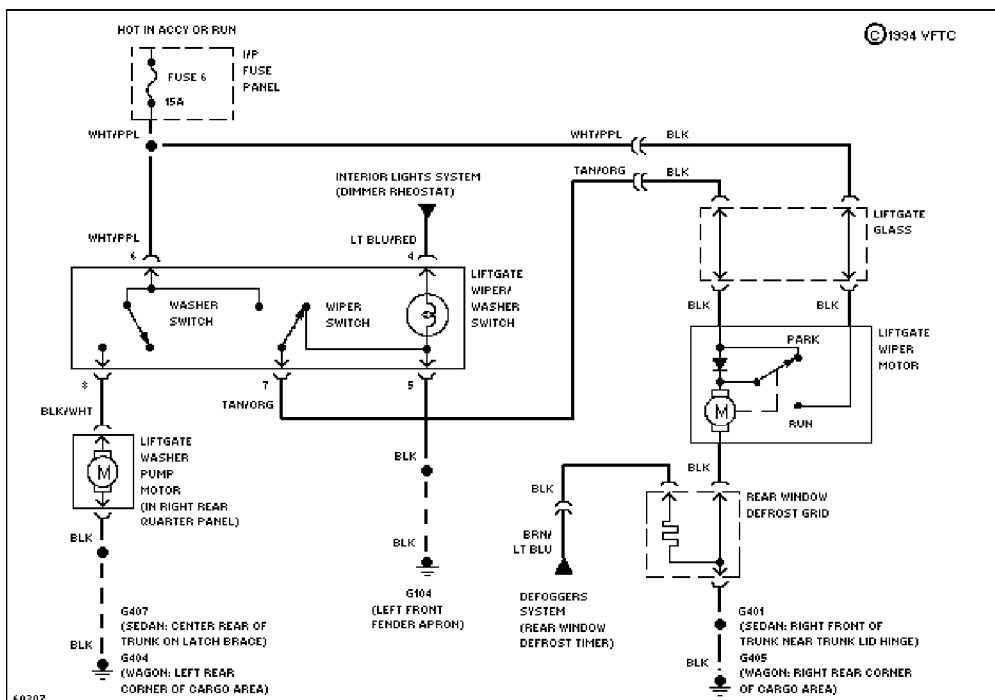
For <http://www.mitchell.narod.ru/>

Copyright © 1997 Mitchell International

Friday, March 02, 2001 09:05PM



Interval Wiper/Washer Circuit



Rear Wiper/Washer Circuit

END OF ARTICLE